

1.75Ah Lithium-Ion Pouch Cell



Next Generation Lithium-ion Cell

Features and Benefits

- Next generation, high-specific capacity cathode
- Safe, lightweight pouch format
- Good specific energy
- Good power capability
- Prismatic design
- Wide operational temperature range from -30 to 50°C (-22 to 122°F)

Applications

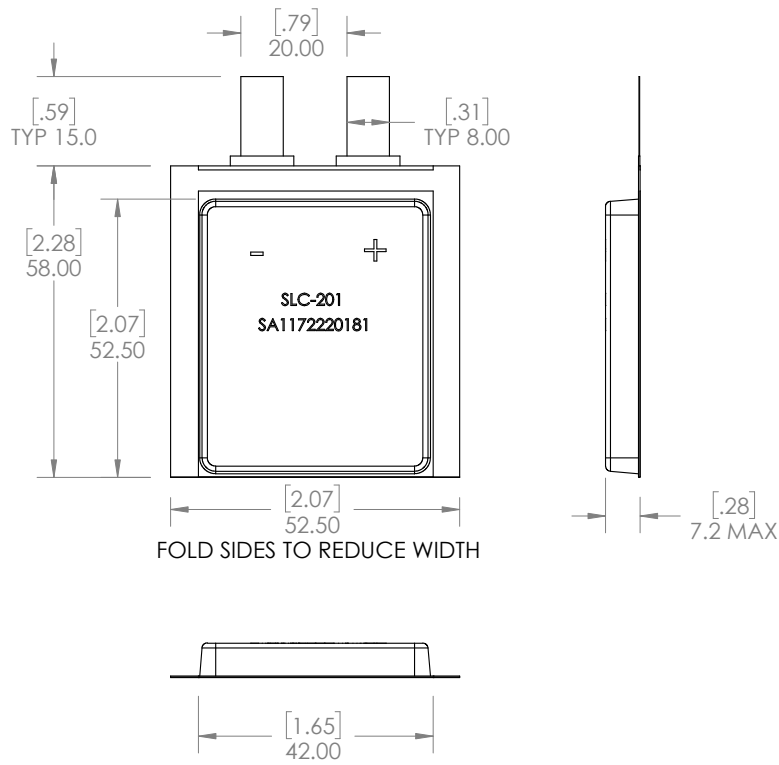
- Portable power
- Unmanned aerial vehicle (UAV)

High energy lithium-ion cell for demanding applications

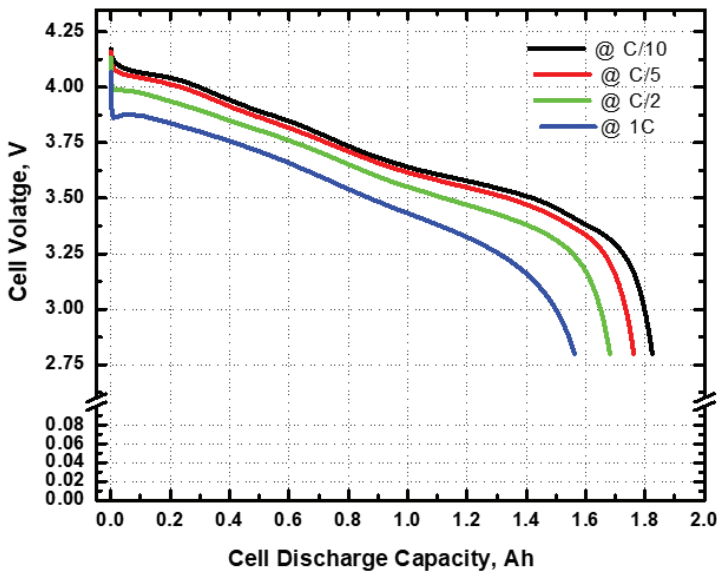
Specifications		
Part Number	SLC-201	
Weight	30 g	
Dimensions with folded sides	43.0 x 58.0 x 7.2 mm (1.69 x 2.28 x 0.28 in.)	
Maximum Continuous Current	1C rate	
Maximum Pulse Current	2C rate	
Nominal Voltage	3.7V	
Voltage Range	4.2 to 2.8V	
Standard Charging Method	Constant Current	0.5A to 4.2V
	Constant Voltage	@4.2V until 0.125A
Nominal Capacity	1.75Ah	
Specific Energy	220 Wh/kg	
Cycle Life	≥500 cycles with 80% retention	
Anode	Graphite	
Cathode	High Ni transition metal oxide	
Electrolyte	Organic carbonates with additives	
Separator	Shutdown	
Cell Type	Prismatic	
Cell Packaging	Polymer laminated Al film	

1.75Ah Lithium-Ion Pouch Cell

DIMENSIONS IN MM [INCHES]



SLC-201 capacity obtained at various discharge current at RT



Discharge and charge at various temperatures with RT charge

