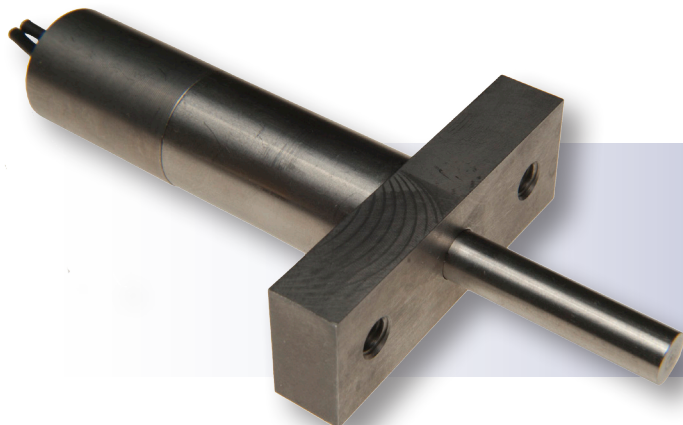


# PA-100 Piston Actuator



The PA-100 Piston Actuator is a pyrotechnic-actuated device that produces linear motion.

*Its long stroke and high output energy are well suited to applications requiring both large displacement and sustained high force.*

## Variations

Modifications in physical interface, output energy (over a range of 15 to 50 ft-lb), and shape of piston can be made to meet specific requirements. Activation energy may be supplied by flying tail leads or with any commercially available connector with at least 2 pins.

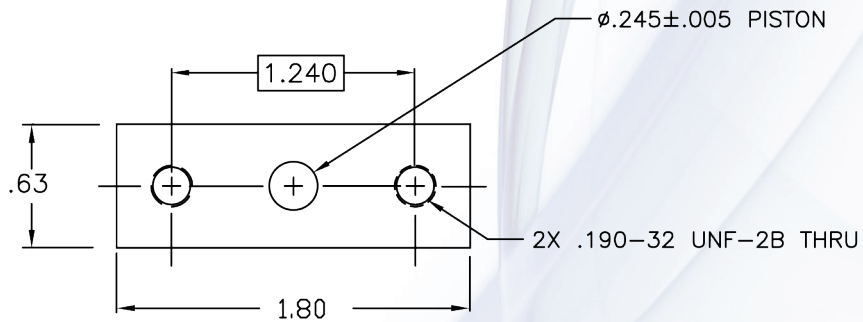
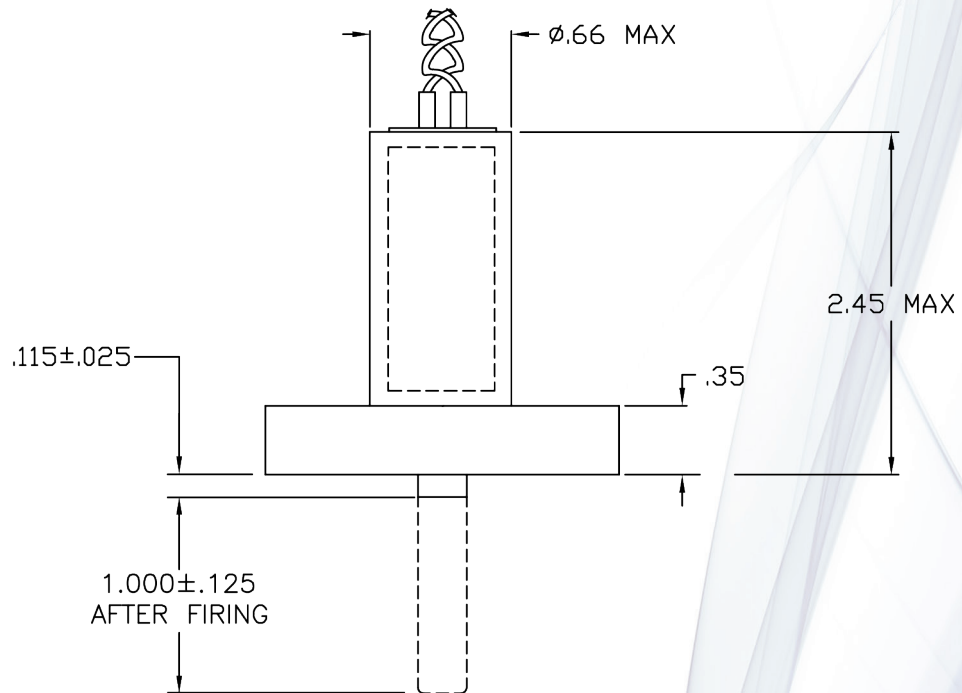
## Characteristics

Some of the characteristics listed here are nominal; others are levels to which the units have been tested. There are no limits on design capabilities. Please consult an EaglePicher representative before using this data as a specification.

## Specifications

Electrical	
Insulation Resistance	Before activation, shunted leads to case: 1 megohm Min. @ 500 Vdc
Bridge Resistance	1.00Ω ± 0.24Ω
All-Fire Current	3.6A ± 0.1A, 50 msec
No-Fire Current	1.0A, 5 minutes
Environmental	
Temperature Operating Range	-40°C to +57°C
Thermal Shock	MIL-STD-202, Method 107, Condition A
Humidity	MIL-STD-202, Method 106
Mechanical Shock	MIL-STD-202, Method 213, Condition D
Vibration	MIL-STD-202, Method 204, Condition B

# PA-100



DIMENSIONS ARE NOMINAL



**EaglePicher Technologies, LLC**  
PO Box 47, Joplin, Missouri 64802-0047, USA  
tel 417.623.8000 | fax 417.623.0850  
[www.eaglepicher.com](http://www.eaglepicher.com)