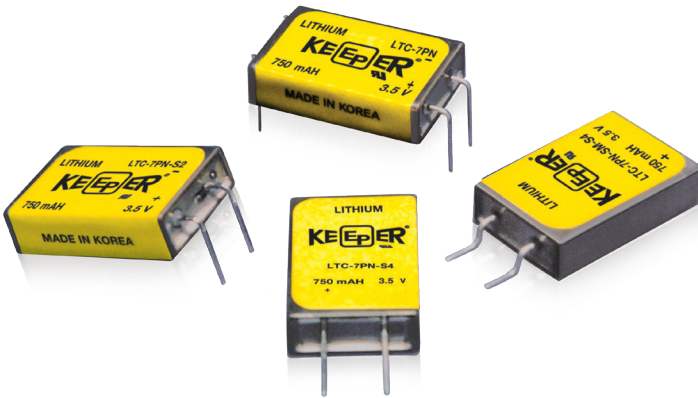


LTC-7PN Keeper® Lithium-Thionyl Chloride



LTC-7PN, LTC-7PN-S2, LTC-7PN-S4 and LTC-7PN-SM-S4 Keeper® Lithium-Thionyl Chloride Batteries

The LTC-7PN series is designed specifically to be printed circuit board (PCB) compatible. With a low profile, prismatic shape, this battery is unique in the industry and a perfect match for space saving requirements. Available in three PCB and one surface mounting configurations. These cells provide high quality, high-energy density, non-position sensitive solutions to your high-density electronics power needs.

Features and Benefits

- Compliant with lead-free RoHS and WEEE EC directives
- Low profile, prismatic design
- Stainless steel construction provides corrosion resistance, hermetic seal and structural integrity
- Years of low rate continuous use
- Stand-by use with 80% capacity retention after 15 years at room temperature
- Highly efficient utilization of valuable board space
- Wave solderable, limit solder bath exposure to a maximum of 5 seconds
- High-energy density compared to other chemistries
- No charging circuits required
- Higher cell voltage allows for fewer cells and high reliability
- Flat discharge characteristics provide optimum voltage regulation
- Non-pressurized system allows for high-temperature usage
- Ship unrestricted, IATA No. UN3090
- Underwriters Laboratories recognized component

Specifications

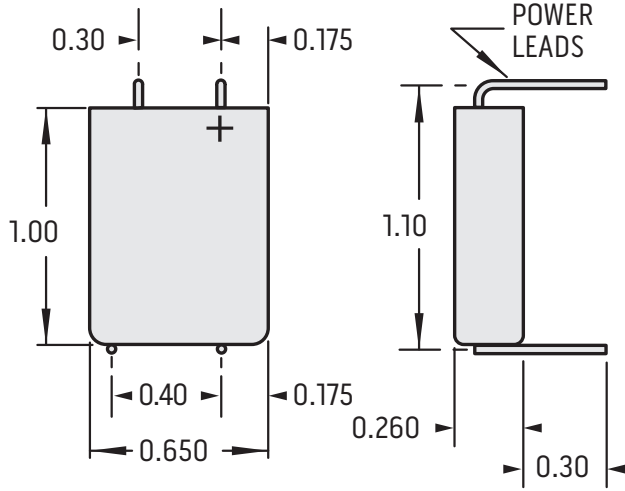
Weight	6.8 g (0.01 lbs)
Nominal Volume	0.1625 in ³
Dimensions	Length: 25 mm (1.00 in.)
	Width LTC-7PN, LTC-7PN-S2, LTC-7PN-S4: 17 mm (0.65 in.)
	Width LTC-7PN-SM-S4: 18 mm (0.70 in.)
Thickness: 7 mm (0.26 in.)	
Voltage	3.5 V
Nominal Open Circuit Voltage	3.67 V at 25°C (77°F)
Nominal Working Voltage	3.5 V at 25°C (77°F)
Capacity	750 mAh
Nominal Capacity	750 mAh, 350 hour rate, at 25°C (77°F)
Operating Temperature	-40° to 95°C (-40° to 203°F)
Case Material	304 stainless steel, hermetically sealed, case negative polarity
Terminal and Support Pins	0.76 mm (0.030 in.) diameter, solder tinned

Applications

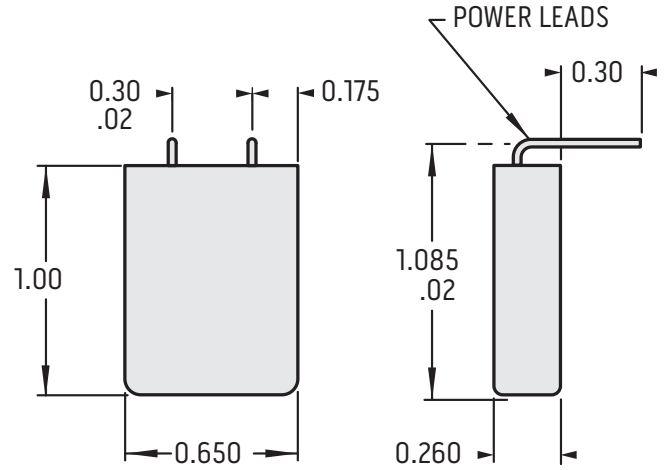
- Electronics
- Radio-frequency identification (RFID)
- Security
- Automotive
- Global positioning system (GPS)

LTC-7PN Keeper® Lithium Thionyl Chloride

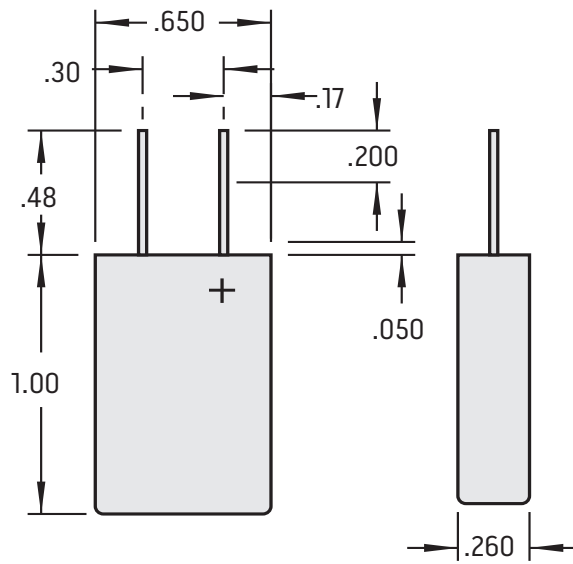
LTC-7PN



LTC-7PN-S2



LTC-7PN-S4



Typical LTC-7P Discharge Characteristics at Varied Temperatures

