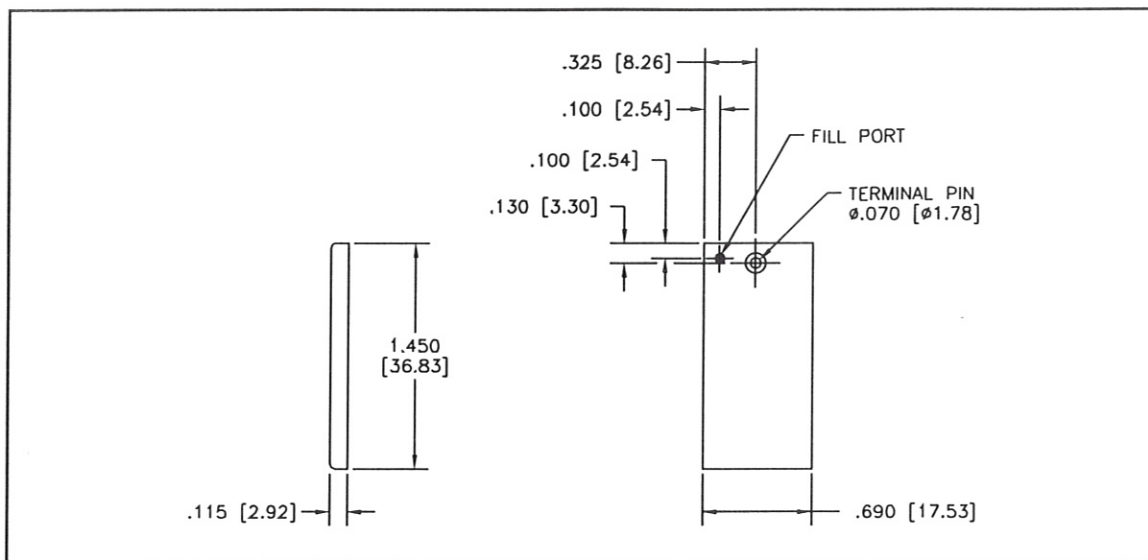


**Product Development Operation**

Part No. **LTC-314**



**Physical Characteristics**

System \_\_\_\_\_ Li/SOCl<sub>2</sub>  
 Construction \_\_\_\_\_ Flat Plates  
 Weight  
     (g) \_\_\_\_\_ 6.5  
     (oz) \_\_\_\_\_ 0.23  
 Volume  
     (in<sup>3</sup>) \_\_\_\_\_ 0.12  
     (cc) \_\_\_\_\_ 1.89

**Performance Characteristics**

OCV(volts) \_\_\_\_\_ 3.65  
 Rated Capacity \_\_\_\_\_ 310 mAhr  
 (25°C, 227 ohms, 2.8V cutoff)  
 Current Max  
 Tested Pulse \_\_\_\_\_ 690 mAhr  
 (25°C, 3.9 ohms, 2.68V)  
 Storage Loss (nominal %/yr) \_\_\_\_\_ 3  
 Energy Density (volumetric)  
     Whr/in<sup>3</sup> \_\_\_\_\_ 10.63  
     Whr/l \_\_\_\_\_ 648.5  
 Specific Energy (gravimetric)  
     Whr/lb \_\_\_\_\_ 74.2  
     Whr/kg \_\_\_\_\_ 163.6