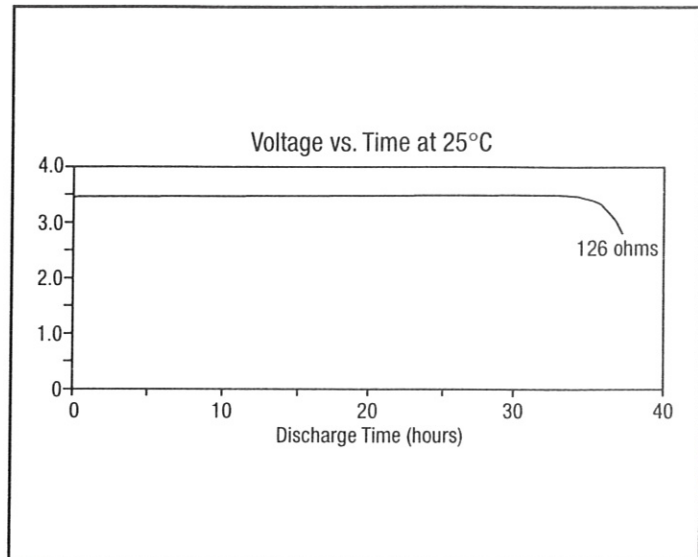
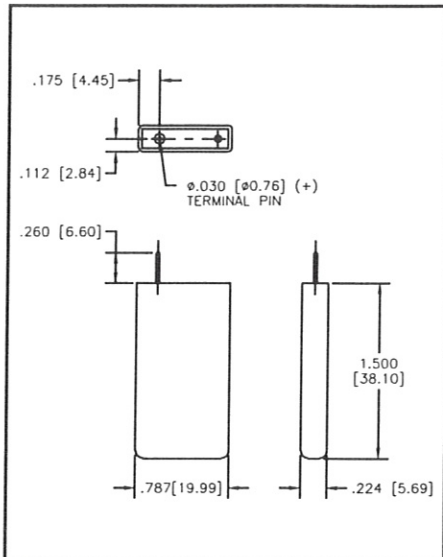


Product Development Operation

Part No. **LTC-311**



Physical Characteristics

System _____ Li/SOCl₂

Construction _____ Flat Plates

Terminal _____ GTM Seal
(0.030 in dia pin)

Weight

(g) _____ 13.3

(oz) _____ 0.469

Volume

(in³) _____ 0.26

(cc) _____ 4.33

Performance Characteristics

OCV(volts) _____ 3.65

Rated Capacity _____ 1000 mAh
(25°C, 126 ohms, 2.8V cutoff)

Current Max. Tested Pulse (mA) 1000
(25°C, 3 ohms, 3.0V)

Storage Loss (nominal %/yr) _____ 3

Energy Density (volumetric)

Whr/in³ _____ 13.11

Whr/l _____ 799.7

Specific Energy (gravimetric)

Whr/lb _____ 117.7

Whr/kg _____ 259.4

Power Density (volumetric)

Whr/in³ _____ 11.39

Whr/l _____ 695.4

Specific Power (gravimetric)

Whr/lb _____ 102.3

Whr/kg _____ 225.5