



1500 mAh Li/SOCl₂ Battery



Lithium Thionyl Chloride Battery

Features and Benefits

- Manufactured in the United States
- ISO 13485 certified manufacturing
- Stainless steel construction provides corrosion resistance
- Fully welded hermetically sealed design
- High energy density
- Flat discharge characteristics provide optimum voltage regulation
- Long shelf life
- Recommend storage from -20 to 28°C (-4 to 82°F) for optimum capacity retention

Applications

- Heart monitors
- Drug delivery systems

Implantable grade, long life, low rate lithium primary battery with flat discharge and reliable performance

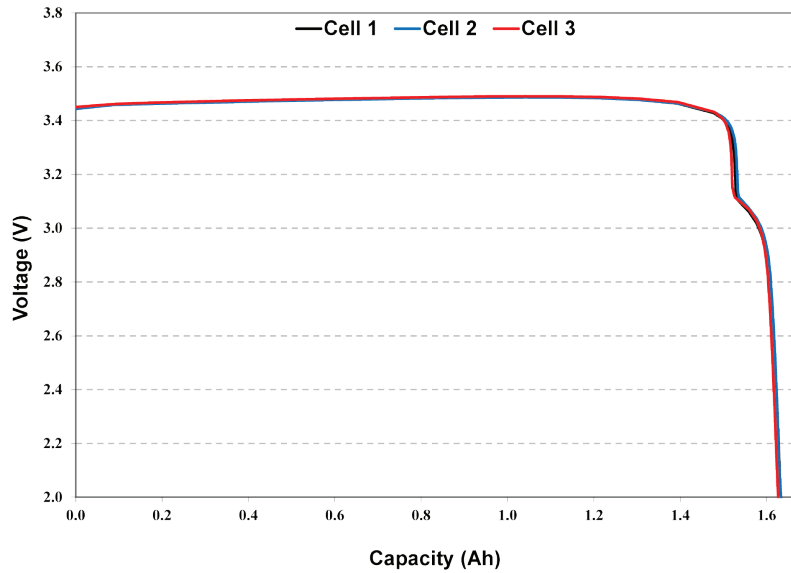
Specifications

Part Number	LTC-5MC-S1
Weight	14.0 g
Dimensions	See details on back
Nominal Open Circuit Voltage	3.67V at 25°C (77°F)
Nominal Working Voltage	3.50V at 25°C (77°F) at 350 hour rate
Nominal Capacity	1500 mAh to 2.5V cutoff at 25°C (77°F) at 350 hour rate
Volume	4.87 cc (0.297 in ³)
Operating Temperature	-40 to 95°C (-40 to 203°F)
Cell Shape	Prismatic
Case Material	Stainless steel 304L
Positive Terminals*	Nickel plated stainless steel 446
Negative Terminal*	Nickel alloy 52
Case Polarity	Negative
Options	Custom markings
	Potting
	Custom packaging
	Solder tinning
Transportation Safety	UN recommendations on transportation of dangerous goods ST/SG/AC.10/11
Battery Safety	Underwriters Laboratory recognized component

*Custom connections such as nickel tabs or wires can be welded to the terminals to ensure ease on connections.

1500 mAh Li/SOCl₂ Battery

LTC-15MC-S1 Discharge Capacity @ 25°C
3.5 mA Rate



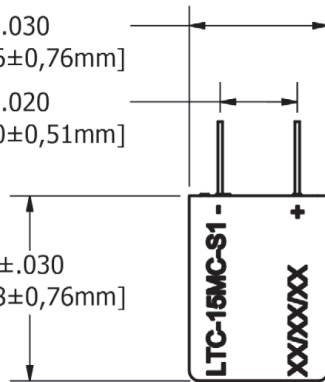
4X R.065
[1,65mm]



.900±.030
[22,86±0,76mm]

.500±.020
[12,70±0,51mm]

1.200±.030
[30,48±0,76mm]



.200±.010
[5,08±0,25mm]

.480±.010
[12,19±0,25mm]

.275±.010
[6,99±0,25mm]

