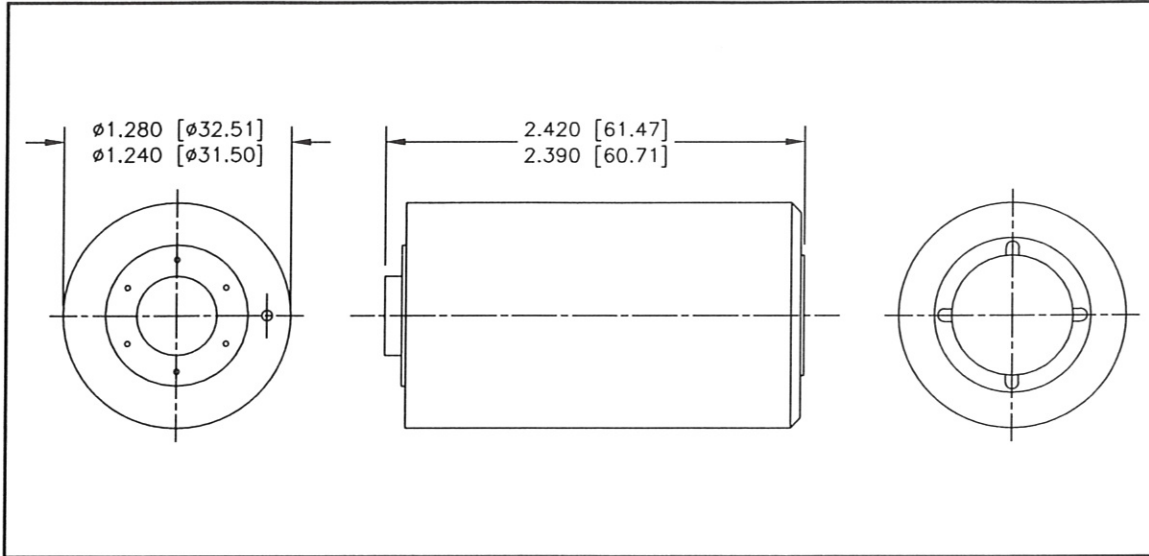


**Product Development Operation**

Part No. **LTC-115**



**Physical Characteristics**

System \_\_\_\_\_ Li/SOCl<sub>2</sub>

Construction \_\_\_\_\_

Weight \_\_\_\_\_

(g) \_\_\_\_\_ 98

(oz) \_\_\_\_\_ 3.45

Volume \_\_\_\_\_

(in<sup>3</sup>) \_\_\_\_\_ 3.12

(cc) \_\_\_\_\_ 51.27

**Performance Characteristics**

OCV(volts) \_\_\_\_\_ 3.65

Rated Capacity \_\_\_\_\_ 11 Ahr

Energy Density (volumetric)

Whr/in<sup>3</sup> \_\_\_\_\_ 12.34

Whr/l \_\_\_\_\_ 752.3

Specific Energy (gravimetric)

Whr/lb \_\_\_\_\_ 178.5

Whr/kg \_\_\_\_\_ 392.8