

3.4 Volt Primary D Cell



**High reliable,  
lightweight cell that  
safely operates over  
a wide temperature  
range**

Non-Rechargeable Lithium Carbon Monofluoride (Li/CF<sub>x</sub>) Cell

**Features and Benefits**

- Wide operating temperature range
- Long-shelf life
- No start up voltage delay
- Fully welded, hermetically sealed construction
- High temperature and corrosion proof glass to metal seal
- 260 psi mechanical vent
- High-temperature shut down safety mechanism
- Short circuit protection
- Ability to withstand high-shock environments
- Ability to withstand high-vibration environments
- Passed nail penetration and UN transportation tests
- Negative case polarity
- High energy
- Ability to perform safely and reliably up to 165°C
- Easy integration within multi-cell tubular cylindrical packs

**Specifications**

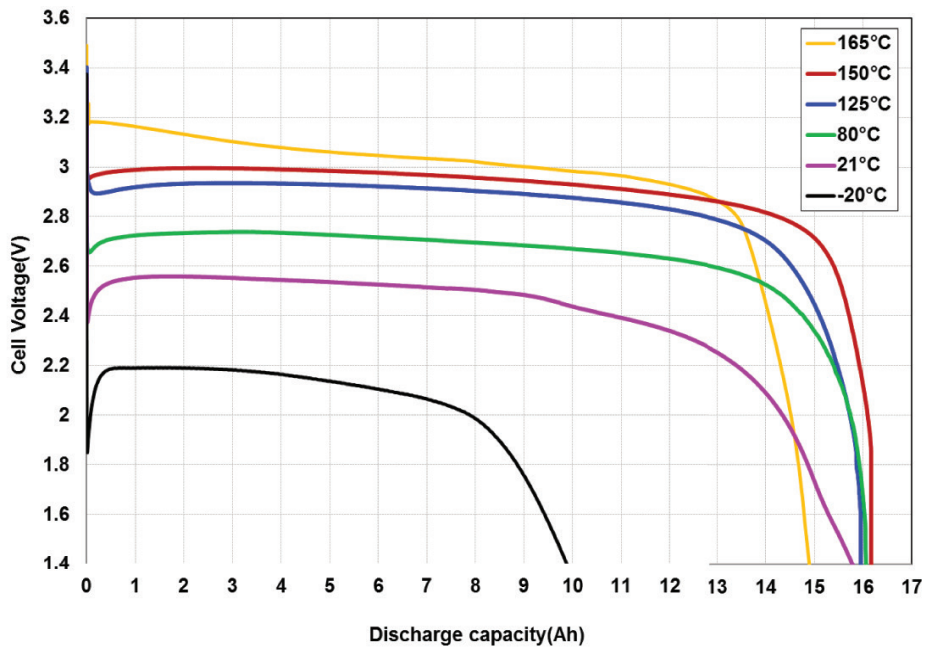
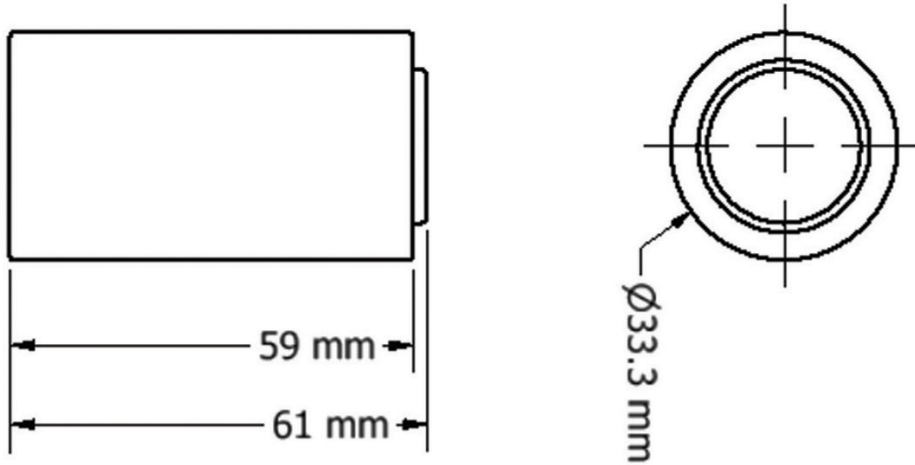
Part Number	LCF-137
Weight	90 g (3.2 oz)
Height	61 mm (2.4 in.)
Diameter	33 mm (1.3 in.)
Open Circuit Voltage	3.4 ±0.2V at 21°C (70°F)
Nominal Voltage	2.95 V <sup>1</sup>
Capacity	16 Ah at 150°C (302°F) at 375 mA
Specific Energy	524 Wh/kg <sup>1</sup>
Energy Density	905 Wh/L <sup>1</sup>
Maximum Continuous Charge	up to 1 A <sup>2</sup>
Maximum Pulse Current	up to 3 A <sup>2</sup>
Operating Temperature	-20 to 165°C (-4 to 329°F)
Storage Temperature	-40 to 71°C (-40 to 160°F)
Exterior Construction	Nickel plated steel
Terminals/Connectors	Based upon customer preference
Transportation	Class 9 Identification #UN3090 <sup>3</sup>
<sup>1</sup> At 150°C (302°F), 375 mA to 2.0 V <sup>2</sup> Maximum current can vary according to pulse characteristics, temperature and cell history <sup>3</sup> For complete transportation regulations, contact EaglePicher	

**Applications**

- Low-earth orbit satellite missions
- Geosynchronous-earth satellite missions
- Deep space exploration
- CubeSat and small satellites

**Concept Design - Product Under Development**

# 3.4 Volt Primary D Cell



**Concept Design - Product Under Development**