

GG-301 Pressure Cartridge



Pressure cartridges, sometimes known as gas generators, use pyrotechnic mixtures to produce gas that is applied to do mechanical work.

The GG-301 is a dual bridge electrically initiated gas generator with a controlled rise and decay pressure profile. It is highly reliable and has a minimum shelf-life of 15 years.

Variations

The GG-301 gas generator was designed and made for a specific application. EaglePicher will modify this part to meet customer requirements. Variations are possible in firing characteristics, peak pressure, pressure build-up rate and pressure decay rate.

Characteristics

Some of the characteristics listed here are nominal; others are levels to which the units have been tested. There are no limits on design capabilities. Please consult an EaglePicher representative before using this data as a specification.

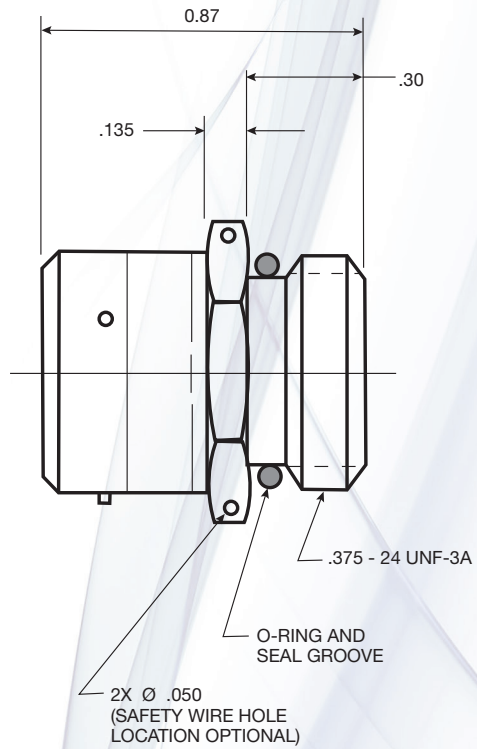
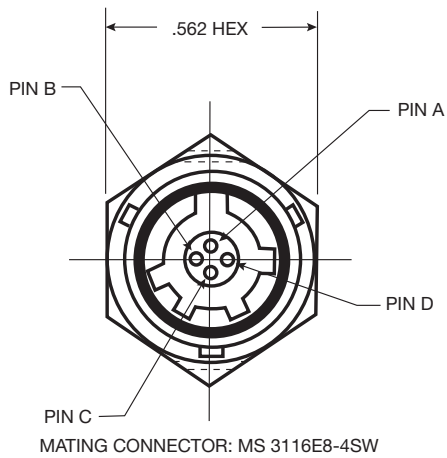
Specifications

Electrical	
Bridge Resistance @ 70°F (21°C) Measured with .010 amp max	1.1 ohms
All-fire Current @ -31°F (-35°C)	3.5 amps, 60Hz or DC, 50 mS
No-fire Current @ 70°F (21°C)	1.0 amp/1.0 watt, 5 min
Mechanical	
Size	See Drawing
Weight Approximation	13.6 gm max
Time-to-Peak Pressure Max	27 ms max
Output Pressure in .61 in ³ (10.0 cm ³) Closed Bomb	550 psi

Specifications Continued

Environmental	
Temperature	Operating range: -31°F to 122°F (-35°C to 50°C)
Temperature Shock	MIL-STD-202, Method 107, Condition A
Shock	MIL-STD-202, Test Method 213, Condition D 500 g's 1/2 sine wave pulse
Vibration	MIL-STD-202, Method 204, Condition B
Moisture Resistance	MIL-STD-202, Method 106
Chemical	
Ignition Compound	Barium Styphnate
Output Compound	THPP
Freight Classification	
Shipping Name	Cartridge, Power Device
Identification Number	UN0323
Hazard Classification	1.4S

GG-301



DIMENSIONS ARE NOMINAL



EaglePicher Technologies, LLC

PO Box 47, Joplin, Missouri 64802-0047, USA

tel 417.623.8000 | fax 417.623.0850

www.eaglepicher.com