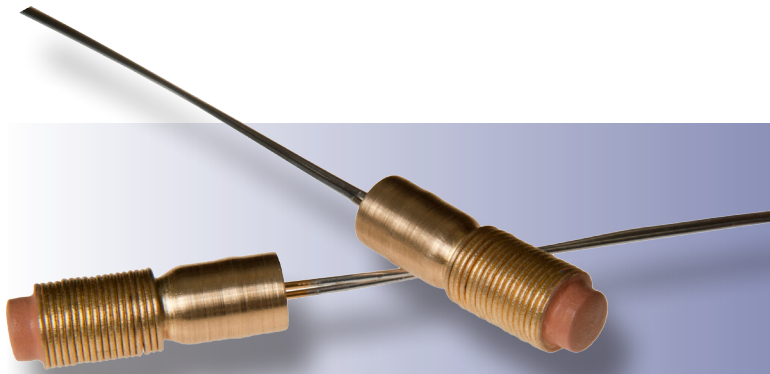


# EB-401-3 Bellows Actuator

The EB-401-3 Bellows Actuator is a pyrotechnic-actuated device.



*The EB-401-3 produces linear or non-linear motion with a relatively long stroke. When actuated, the bellows expand following any straight, arcuate, or other path established by surrounding surfaces. It is hermetically sealed and holds its extended position under load.*

## Variations

Variations are possible in stroke, length, radius of curvature, force, shape of the bellows nose, firing characteristics and environmental resistance.

## Characteristics

Some of the characteristics listed here are nominal; others are levels to which the units have been tested. There are no limits on design capabilities. Please consult an EaglePicher representative before using this data as a specification.

Specifications	
Electrical	
Bridge Resistance @ 70°F (21°C)	7.0±2.0 ohm
All-fire Current	0.68 ± 1% microfarad capacitor charged to 38.5 ± 0.5 Vdc (5000 erg Max.)
Insulation Resistance @ 500 Vdc, Shunted Leads to Case Before Firing	100 megohms Min.

Specifications Continued	
Mechanical	
Size	See Drawing
Weight	5 gm Max.
Stroke Length	1.0" (25.4 mm)
Output	30 in-lb (34 N-m) torque @ 15° 4 in-lb (17 N-m) torque @ 70°
Function Time	25.0 ms Max.
Environmental	
Temperature	Operating range: -65°F to +160°F (-54°C to +70°C) Temperature and humidity: 28 days per MIL-STD-331, Test No. C1
High Frequency Vibration	10-2000-10Hz, d.a. 0.06" 20 min/cycle, 3 cycles/plane 3 mutually perpendicular planes
Low-Frequency Vibration	MIL-STD-331, Test B1 at room temperature in the vertical and horizontal planes.
Jolt	MIL-STD-331, Test A1
Drop	MIL-STD-331, Test A3
Chemical	
Energetic Compounds	Lead Styphnate LMNR/Black Powder
Freight Classification	
Shipping Name	Bellows Actuator
Hazard Classification	Unregulated

# EB-401-3

## Safety

### Maximum pyrotechnic weight:

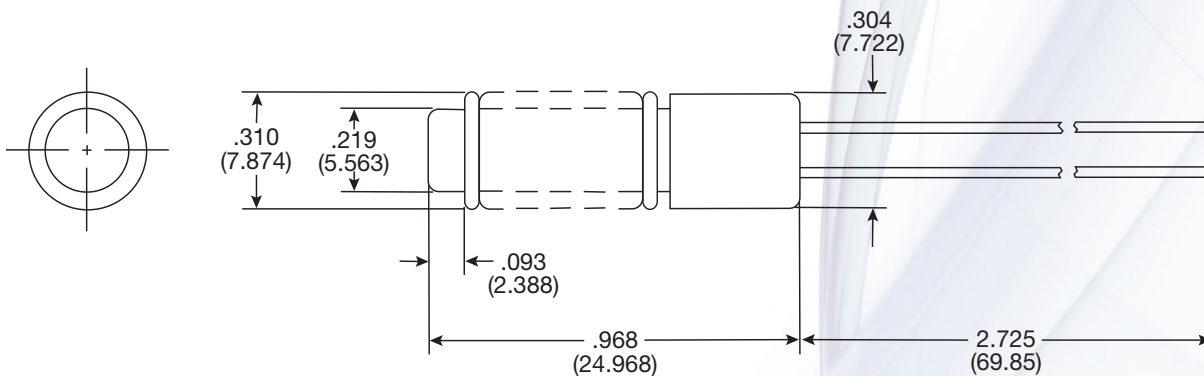
75mg

### Warning:

The EB-401-3 Bellows Actuator is hermetically sealed and will not rupture when fired under normal test conditions. It may fire if exposed to temperatures above 200°F (93°C), or an electrical charge exceeding the specified no-fire current.

If your company does not have a safety program, it is essential that one is established before explosive items are handled or used. For a brief overview of safety precautions, see the Safety Procedures Data Sheet or contact an EaglePicher representative.

Energetic devices are considered articles; therefore a Material Safety Data Sheet (MSDS) does not apply. However, MSDS may apply to individual components. For more information, contact your EaglePicher representative.



DIMENSIONS ARE NOMINAL  
DIMENSIONS IN ( ) ARE IN MM



### EaglePicher Technologies, LLC

PO Box 47, Joplin, Missouri 64802-0047, USA  
tel 417.623.8000 | fax 417.623.0850

[www.eaglepicher.com](http://www.eaglepicher.com)