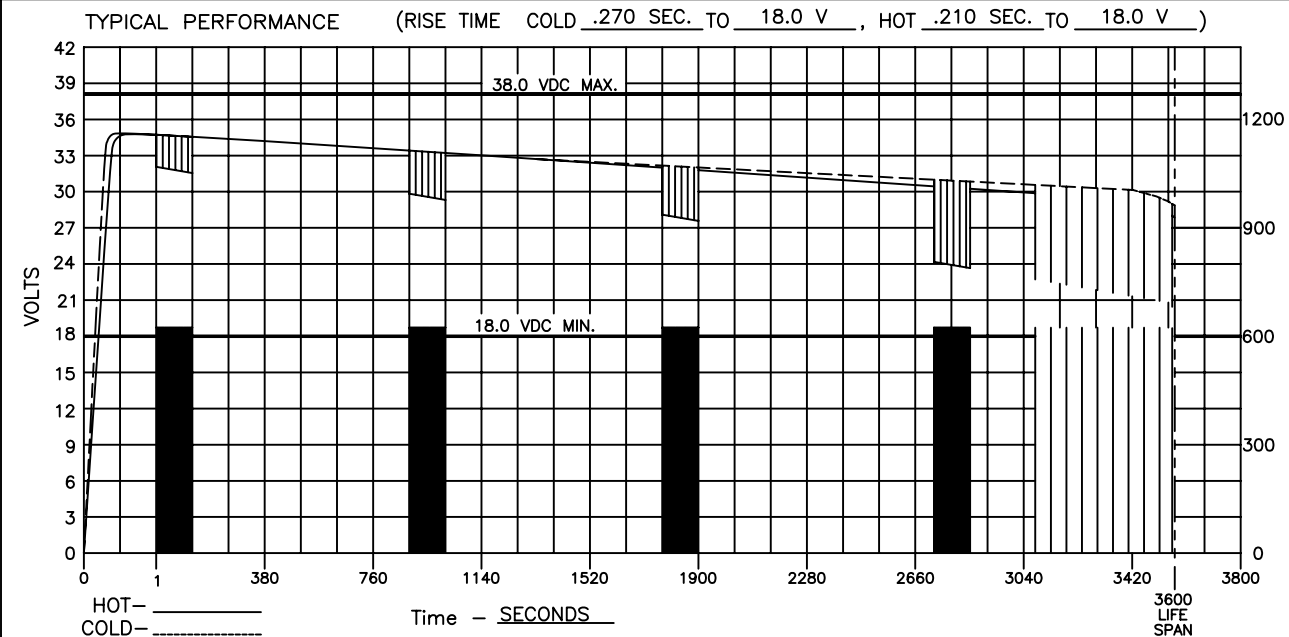


EAGLE-PICHER TECHNOLOGIES, LLC  
 TECHNOLOGIES DIVISION, FEDERAL SYSTEMS DEPARTMENT  
 P. O. BOX 47, JOPLIN, MO. 64801  
 TELEPHONE: 417-623-8000

## THERMAL BATTERY

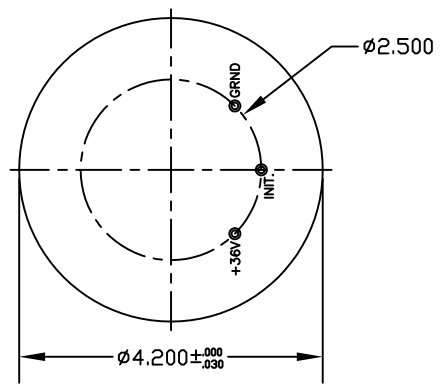
### TECHNICAL DATA SHEET FOR BATTERY NO. EAP-12283A      DATE 11-17-99



ENVIRONMENTAL REQUIREMENTS (OPERATING)	
Temperature:	-4°F TO +131°F
Acceleration:	N/A
Shock:	MIL-STD-202, METHOD 213 (AXIAL AXIS: 100 g., 11 Msec. HALF SINE)
Vibration:	MIL-STD-202, METHOD 204 FREQ. 10 TO 500 Hz
Spin:	N/A
Other:	N/A

ELECTRICAL REQUIREMENTS	
Voltage: 18.0 V TO 38.0 V	
Load: 0 - 3600 SEC. .20 A BASELOAD (600 W, 1 SEC. DURATION, 10% D.C.)	
60 SEC.: 10 PULSES	2700 SEC.: 10 PULSES
900 SEC., 10 PULSES	3059 SEC., 10 PULSES (1 MINUTE TO TERMINAL)
1800 SEC., 10 PULSES	
Rise Time: 30 SEC.	
Life: 3600 SEC.	
Activation: SQUIB	BRIDGEWIRE: 1.50±.2
NO-FIRE: 0.10 A/5 MIN. ALL-FIRE: 0.55 A/50 MSEC.	
Case and Header Material: TYPE 304 STAINLESS STEEL	
Terminal Material: 52 Fe/Ni ALLOY GOLD PLATED	

#### OUTLINE CONFIGURATION



Nominal Weight 3.42 lbs  
 Nominal Volume 50.57 in<sup>3</sup>

