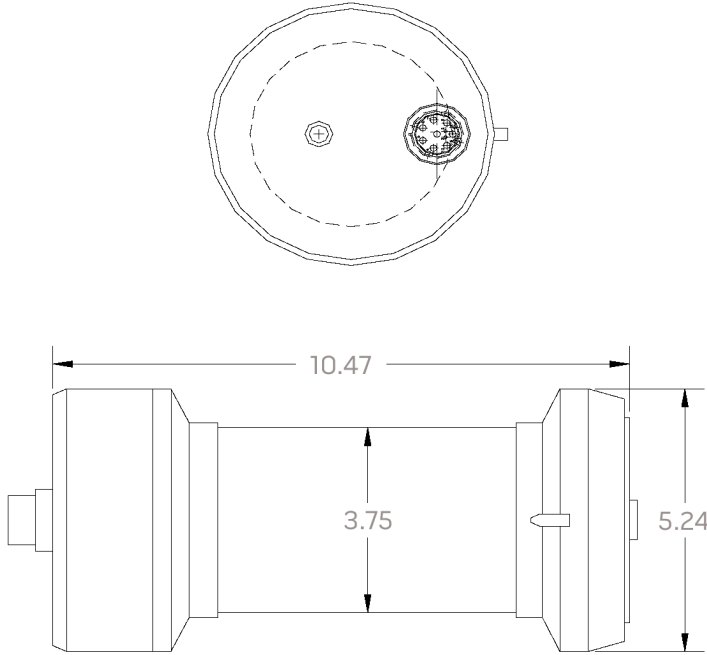




EAP-12244 Thermal Battery

Specifications

Part Number	EAP-12233
Weight	5.44 kg (12 lbs)
Nominal Volume	116 in ³
Dimensions	Length: 266 mm (10.47 in) Width: 133 mm (5.24 in)
Voltage	33.5 VDC maximum, 26.0 VDC minimum
Load	650W base load to 530 sec 1100W base load 530 to life
Rise Time	1 seconds
Life	545 seconds
Activation	EP-360-3X
Indicator	Temperature decal
Operating Temperature	-15 to 71°C (5 to 160°F)
Acceleration	90 g for 30 sec 35 g for 305 sec
Vibration	Random 12 Grms 3 min/axis Random 13 Grms 30 min/axis
Shock	Pyroshock 3 shocks/axis 2000 g max @ 2200-4000 Hz Mechanical 100 g sawtooth 6ms duration @ 1-5 sec; 100-105 sec; 200-205 sec
Vibration	200,000 ft
Case and Header Material	Type 304 stainless steel
Terminal Material	52 Fe/Ni alloy hot soldered



TYPICAL PERFORMANCE: **RISE TIME:** (COLD: .750 SEC. TO 26 Vdc; HOT: .575 SEC. TO 26 Vdc)

