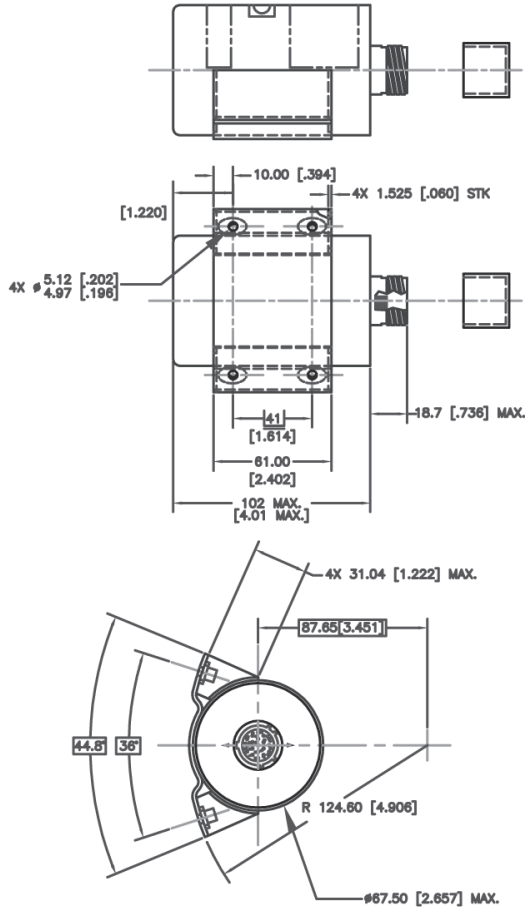




EAP-12233 Thermal Battery



Specifications

Part Number	EAP-12233
Weight	1.06 kg (2.34 lbs)
Nominal Volume	22.26 in ³
Dimensions	Length: 121 mm (4.8 in)
Voltage	22.0 to 34.4 VDC maximum
Load	0.97 A
Rise Time	22.0 VDC in less than one second
Life	1380 second minimum
Activation	EP-205-1 squib
Indicator	Temperature sensitive indicator
Operating Temperature	-54 to 71°C (-65 to 160°F)
Shock	70 g 11 msec terminal sawtooth wave shock
Vibration	X axis: 9.87 g at 17 Hz no less than 20 minutes Y and X axis: 4.7 g at 11 Hz no less than 112.5 minutes
Other	Thermal vacuum
Case and Header Material	Type 304 stainless steel
Terminal Material	52 alloy

