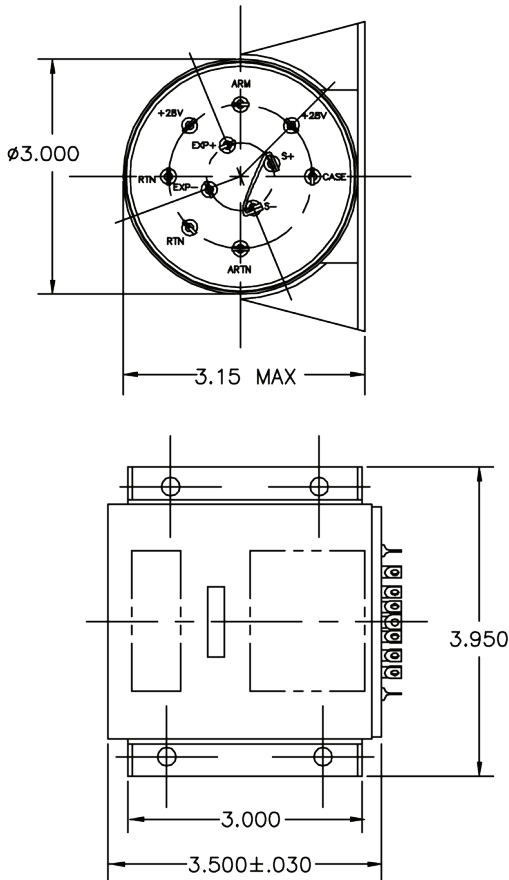




EAP-12194 Thermal Battery



Specifications

Part Number	EAP-12194
Weight	1.25 kg (2.75 lbs)
Nominal Volume	18.82 in ³
Dimensions	see dimensions drawing
Voltage	24.0 VDC min to 35.0 VDC max
Load	Max: 0-1 sec: 0.30 A, min: 0.30 A constant
	1-10 sec: 0.80 A
	10-12 sec: 1.85 A
	12-918 sec: 0.80 A
918-920 sec: 1.85 A	
Rise time	1.0 sec to 24.0 VDC
Life	920 seconds
Acceleration	KIG's with MIL-STD-810, method 513.4, procedure I
Shock	MIL-STD-810, method 516.4, procedure I; 36 G/30 ms
Vibration	MIL-STD-810, method 514.4, 15.41 g
Other	Bench test (room ambient)
Temperature	-54 to 74°C (-65 to 165°F)
Activation	EP-360-1 per MIL-STD-1512
Indicator	Tempilable 99°C (210°F) and thermostatic switch
Case and Header	Type 304 stainless steel
Terminal Material	52 Fe/Ni alloy hot solder dipped

