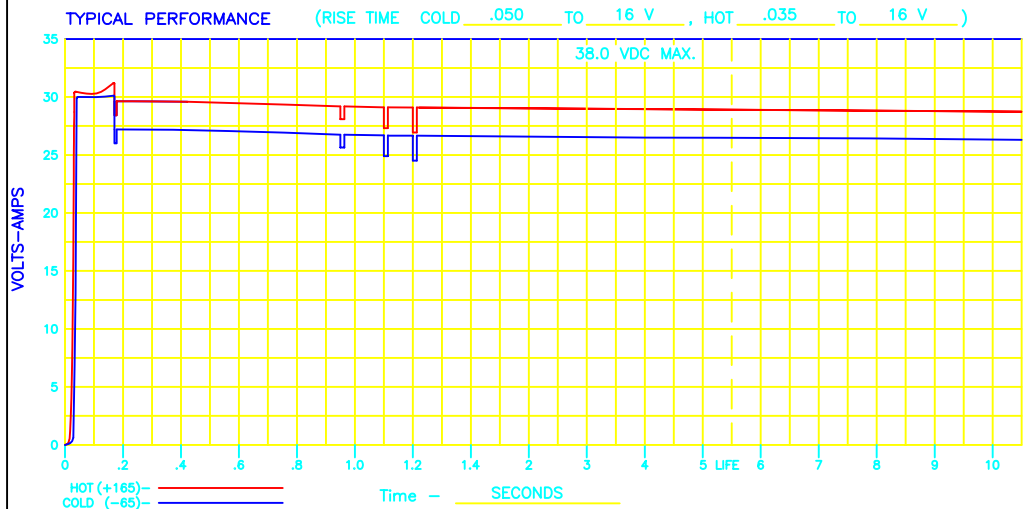


EAGLE-PICHER INDUSTRIES, INC.

ELECTRONICS DIVISION, COUPLES DEPARTMENT
 P. O. BOX 47, JOPLIN, MO. 64801
 TELEPHONE: 417-823-8000

THERMAL BATTERY
TECHNICAL DATA SHEET FOR BATTERY NO. EAP-12181 DATE 8-18-06



ENVIRONMENTAL REQUIREMENTS (OPERATING)

Temperature: -65°F THRU +165°F

Acceleration: N/A

Shock: N/A

Vibration: N/A

Spin: N/A

Other: N/A

ELECTRICAL REQUIREMENTS

Voltage: 38 VOLTS MAX 12 VOLTS MIN EXCEPT 173-183 MS 22.5 MIN; 958-968 MS 21.0 MIN; 1108-1118 MS 20.0 MIN; 1208-1218 17 MIN; 1219-5000 MS 12 MIN.

Load: 0-172 MS 62 OHMS(Ω). FROM 172 MS TO END OF LIFE AN ADDITIONAL 3 Ω LOAD IS IN PARALLEL: 173-183 MS 4.2Ω; 958-968 MS 4.0Ω; 1108-1118 2.4 Ω; 1208-1218 MS 1.6 Ω; 1219-5000 MS OPEN.

Rise Time: 110 MS TO 16 VOLTS

Life: 5.0 SECONDS MINIMUM TO 12 VOLTS

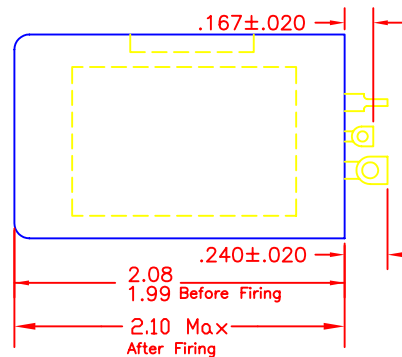
Activation: NEI-11

Indicator: PAINT STRIPE

Case and Header Material: TYPE 304 STAINLESS STEEL

Terminal Material: 52 Fe/Ni ALLOY HOT SOLDER DIPPED

OUTLINE CONFIGURATION



Maximum Weight 125g

Nominal Volume 2.50 in³

