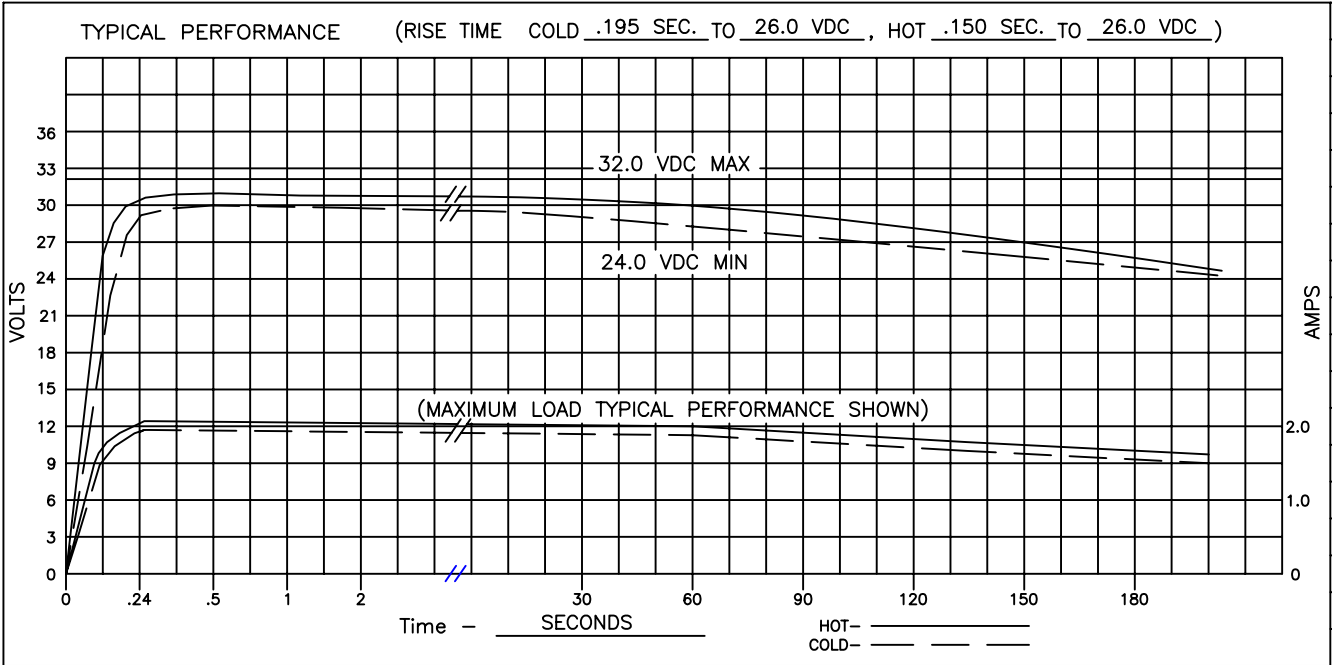


REVISED 08-10-07

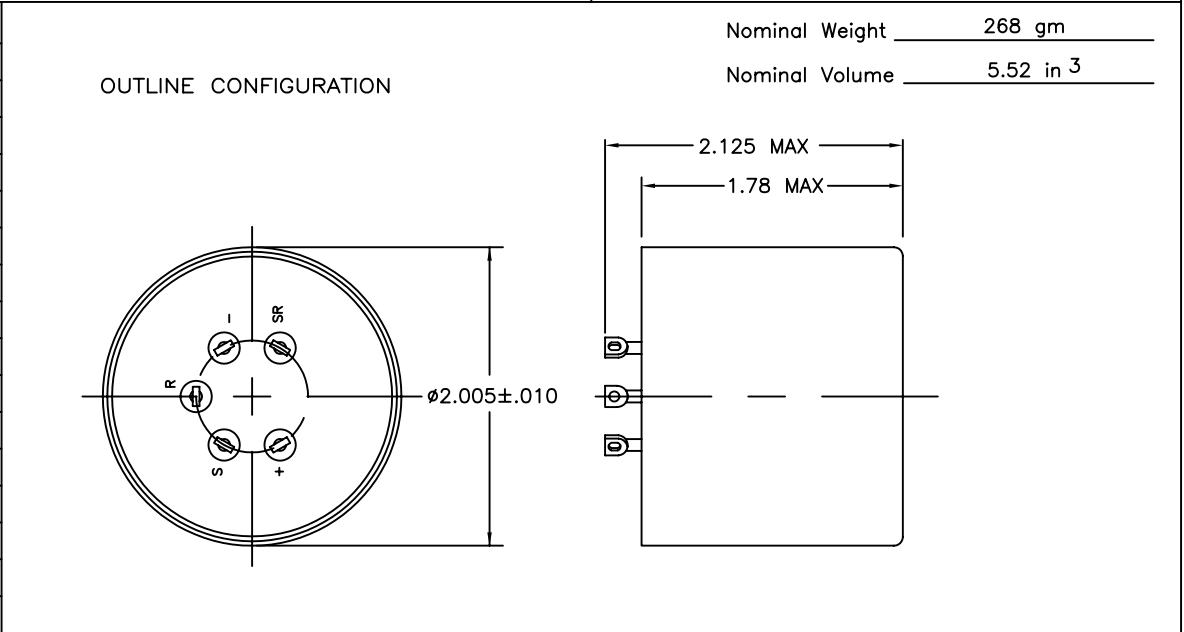
EAGLE-PICHER TECHNOLOGIES, LLC
 ORDNANCE SYSTEMS OPERATION
 P. O. BOX 47, JOPLIN, MO. 64801
 TELEPHONE: 417-623-8000

THERMAL BATTERY
 TECHNICAL DATA SHEET FOR BATTERY NO. EAP-12165 DATE 11/4/92



ENVIRONMENTAL REQUIREMENTS (OPERATING)	
Temperature: +160°F TO -40°F	
Acceleration: TRANSVERSE AXES: 19.5g	
AXIAL AXIS: 39g	
Shock: ALL AXES: 60g, >30 MSEC., HALF SINE	
Vibration: Grms=4.85	
FREQ:	G ² /Hz
20-100	.0028
100-200	+3db/OCTAVE
200-2000	.0125
Spin: N/A	
Other: N/A	

ELECTRICAL REQUIREMENTS
Voltage: 24.0 VDC TO 32.0 VDC
Load: MAX: 15 OHMS CONSTANT
Rise Time: 0.600 SECONDS
Life: 90 SECONDS
Activation: EP-250-9 SQUIB PER MIL-I-23659
Indicator: N/A
Case and Header Material: 304 SS
Terminal Material: 52 Fe/Ni ALLOY HOT SOLDER DIPPED



Nominal Weight 268 gm
 Nominal Volume 5.52 in³