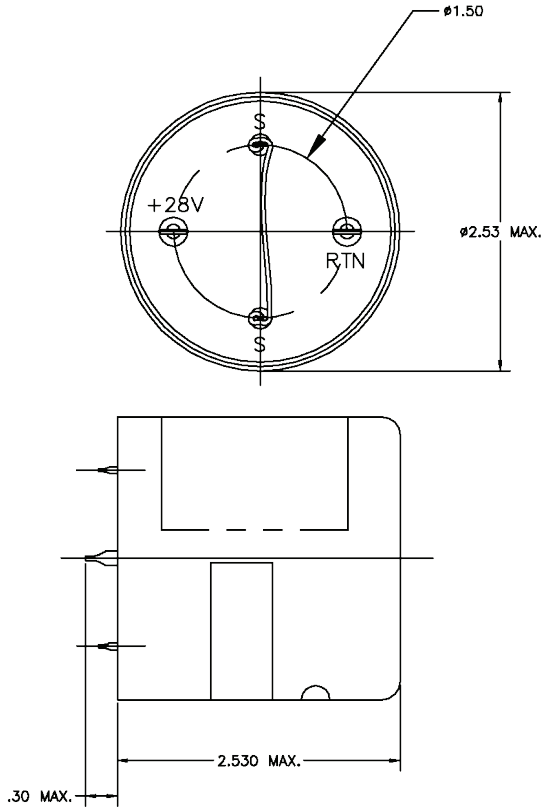




EAP-12155B Thermal Battery

Case and header 304 stainless steel



Specifications

Part Number	EAP-12155B
Weight	590 g (1.3 lbs)
Nominal Volume	12.27 in ³
Dimensions	see dimensions drawing
Voltage	24 V to 32 VDC
Load	0-20 sec. 14 A
	20-40 sec. 15 A
	40-60 sec. 16 A
	60-70 sec. 17 A
	70-70.050 sec. 22 A
	70.050-80 sec. 9 A
	80-119.997 sec. 10 A
	119.997-120 sec. 12 A
120 sec. to life 10 A	
Rise time	1 sec. to 24 VDC
Life	120 sec. after 24 V minimum reached
Operating Temperature	5 to 71°C (41 to 160°F)
Vibration	7.0 grms each axis, 20-2000 Hz
Acceleration	5 G each axis
Activation	4408-2 squib
Indicator	116°C (240°F) temperature indicator
Terminal Material	52 Fe/Ni alloy hot solder dipped

Typical performance: Rise time Cold 0.420 sec to 24 VDC, Hot 0.380 sec to 24 VDC

