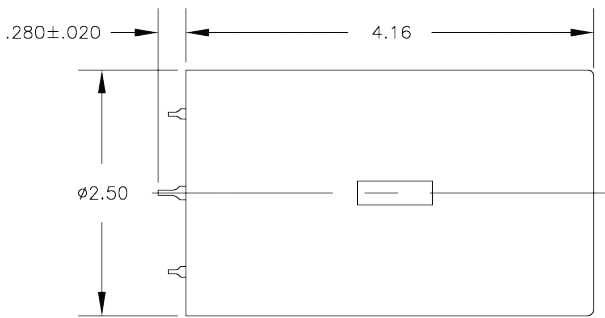
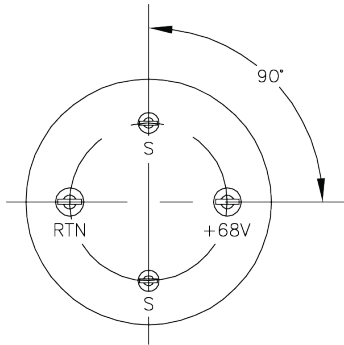




## EAP-12053C Thermal Battery

Case and header 304 stainless steel



### Specifications

|                       |   |
|-----------------------|---|
| Part Number           | EAP-12053C  |
| Weight                | 907 g (2 lbs)   |
| Nominal Volume        | 20.4 in <sup>3</sup>  |
| Dimensions            | see dimensions drawing  |
| Voltage               | 70 V max.<br>45 V min.<br>43 V min from 212-222 sec.  |
| Load                  | 0-1.2 sec. 35 A<br>1.2-3.0 sec. ramp down to 6.875 A<br>3.0-6.0 sec. 6.875 A<br>6.0-7.5 sec. 22.5 A<br>7.5-212 sec. 6.875 A<br>212-222 sec. 25 A<br>222 sec. to life 6.875 AA |
| Rise time             | 1 sec.  |
| Life                  | 222 sec.  |
| Operating Temperature | -34 to 54°C (-30 to 130°F)  |
| Vibration             | Random 7.42 grms ±X±Y 7.28 grms ±Z  |
| Acceleration          | 35 G forward, 15 G aft, 40 G lateral  |
| Shock                 | 156 G, 1.78 ms  |
| Activation            | EP-250-3, per MIL-I-23659   |
| Terminal Material     | 52 Fe/Ni alloy tin plated   |

Typical performance: Rise time Cold 0.400 sec to 45 V, Hot 0.350 sec to 45 V

