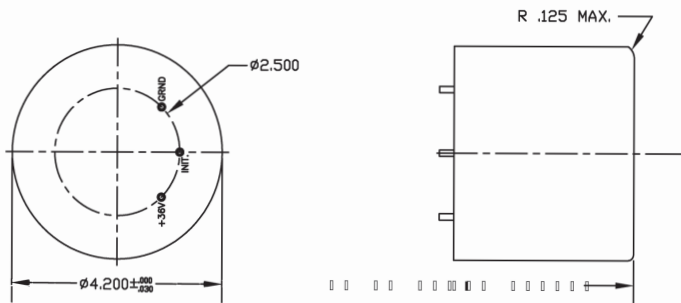




EAP-12283A Thermal Battery

Case and header 304 stainless steel



Specifications

Part Number	EAP-12283A
Weight	1.55 kg (3.42 lbs)
Nominal Volume	50.57 in ³
Dimensions	Width: 107 mm (4.2 in)
	Length: 91 mm (3.6 in)
Voltage	18.0 to 38.0 V
Load	0-3600 sec: 0.20 A baseload (600 W, 1 sec, duration, 10% DC)
	60, 900, 1800, 2700 sec: 10 pulses
	3059 sec; 10 pulses (1 min to terminal)
Rise Time	30 sec
Life	3600 sec
Activation	Squib; bridgewire 1.50 ± 0.20
	No fire: 0.10 A/5 min
	All fire: 0.55 A/50 ms
Operating Temperature	-20 to 62.8°C (-4 to 131°F)
Shock	Mil-std-202, method 213 (Axial axis: 100 g, 11 ms half sine)
Vibration	Mil-std-202, method 204 frequency 10 to 500 Hz
Terminal Material	52 iron nickel alloy gold plated

Typical Performance (Rise Time Cold 0.27 sec to 18 V, Hot 0.21 sec to 18 V)

