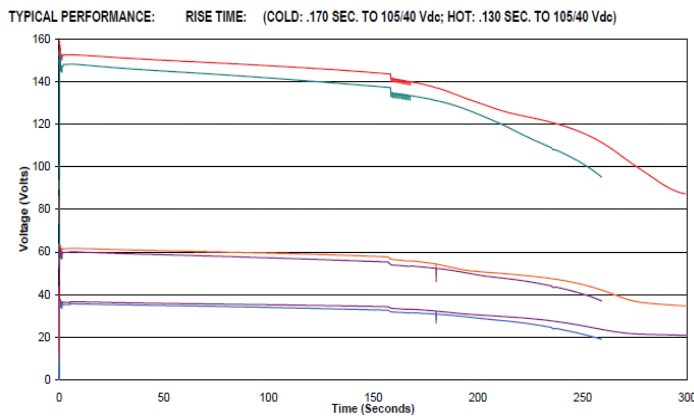
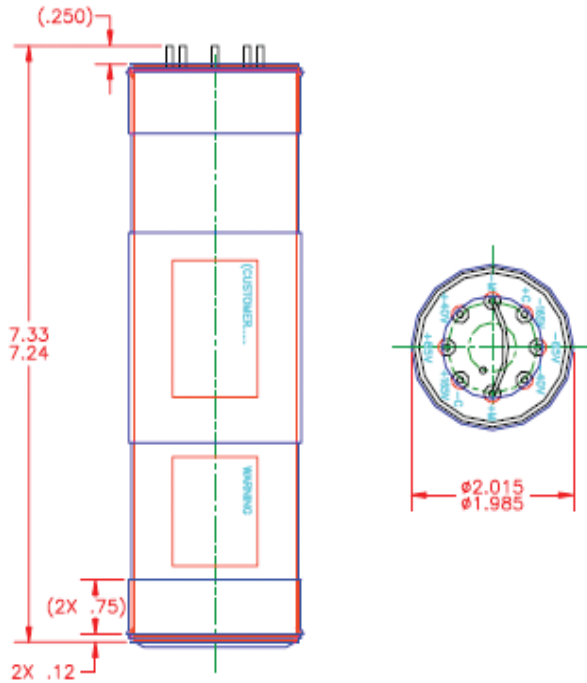




## EAP-12015B Thermal Battery

Case and header 304 stainless steel, terminal nickel iron alloy hot soldered



### Specifications

Part Number	EAP-12015B
Weight	952.5 g (2.1 lbs)
Nominal Volume	22.6 in <sup>3</sup>
Dimensions	Width: 51 mm (2.0 in)
	Length: 186 mm (7.3 in)
Voltage Range	165 V section (165 max, 105 min)
	65 V section (65V max, 40 V min)
	40 V section (40 max, 40 v min)
Load	40 V (2 A @ 1.29 sec for 10 ms, 4 A @ 1.3 sec for 7 ms, 11 A @ 1.37 sec for 20 ms, 2 A @ 1.39 sec for 2.61 sec) 3 A for 200 μs just before life
	65 V (3, 10.5 A pulses @ 0.795 sec for 100 ms, 1.040 for 170 ms and 1.39 sec for 100 ms; 14 A pulse for 20 ms just before life)
	165 V (788 W from 0.65 sec to 1.50 sec 698 W to 2.00 sec; 525 W to 158.35 sec) then 10 (985 W pulses to 167.60 sec, 750 W to end of life)
Rise Time	0.650 sec
Life	180 sec
Activation	EP-250-IX
Activation Indicator	Temperature decal
Operating Temperature	-65 to 59°C (-85 to 138°F)
Acceleration	35 g in ± longitudinal, ± lateral and ± vertical
Vibration	Random 7.5 g
Shock	3 sinusoidal pulses of 35 g, 5 ms half-sine in ± longitudinal direction
	2 sinusoidal pulses of 53 g, 11 ms half-sine in - vertical and + lateral
	2 sinusoidal pulses of 67 g, 11 ms half-sine in - vertical and + lateral
	2 sinusoidal pulses of 78 g, 5 ms half-sine in - vertical and + lateral
Terminal Material	52 nickel iron alloy hot smoldered