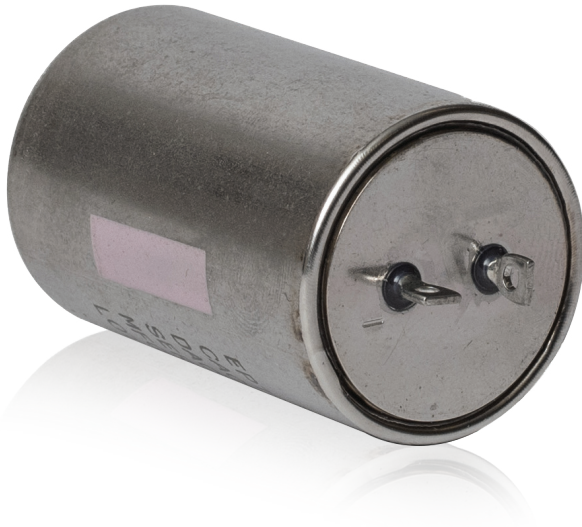


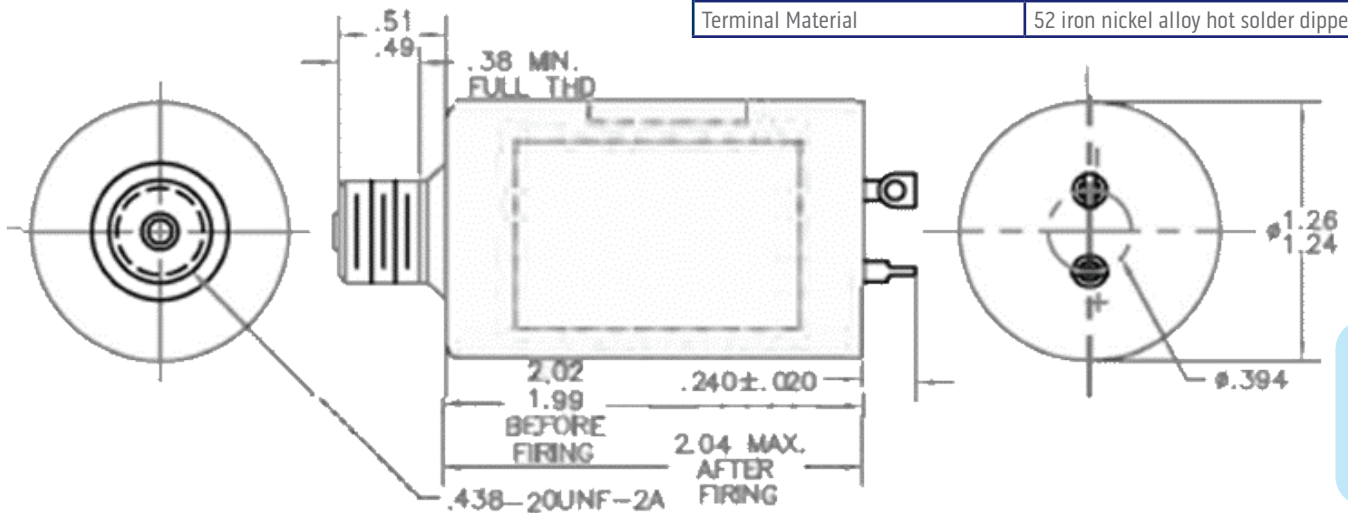


## CAP-12181 Thermal Battery



Lithium Silicon/Iron Disulfide  
Case and Header 304 Stainless Steel

Specifications	
Part Number	CAP-12181
Weight	135 g (0.3 lbs)
Dimensions	Width: 32 mm (1.3 in)
	Length: 64 mm (2.5 in)
Voltage	38 V max, 12.0 V min
	Except:
	133-143 ms 23.5 V min
	148-158 ms 23.0 V min
	173-183 ms 22.5 V min
	958-968 ms 21.0 V min
	1108-1118 ms 20.0 V min
	1208-1218 ms 17.0 V min
1219-5000 ms 12.0 V min	
Load	0-133 ms 62 Ω from 133 ms to end of live an additional 3 Ω load is in parallel
	133-143 ms ±2.7 Ω
	148-158 ms 4.0 Ω
	173-183 ms 4.2 Ω
	958-968 ms 4.0 Ω
	1108-1118 ms 2.4 Ω
	1208-1218 ms 1.6 Ω
	1219-5000 ms -open
Rise Time	100 ms to 16.0 V
Life	5.0 sec min to 12.0 V
Activation	M42C1 primer
Indicator	Paint stripe
Operating Temperature	-53.9 to 73.9°C (-65 to 165°F)
Terminal Material	52 iron nickel alloy hot solder dipped



# CAP-12181 Thermal Battery

TYPICAL PERFORMANCE (RISE TIME COLD 0.040 SEC TO 16.0 V, HOT 0.020 SEC TO 16.0 V)

