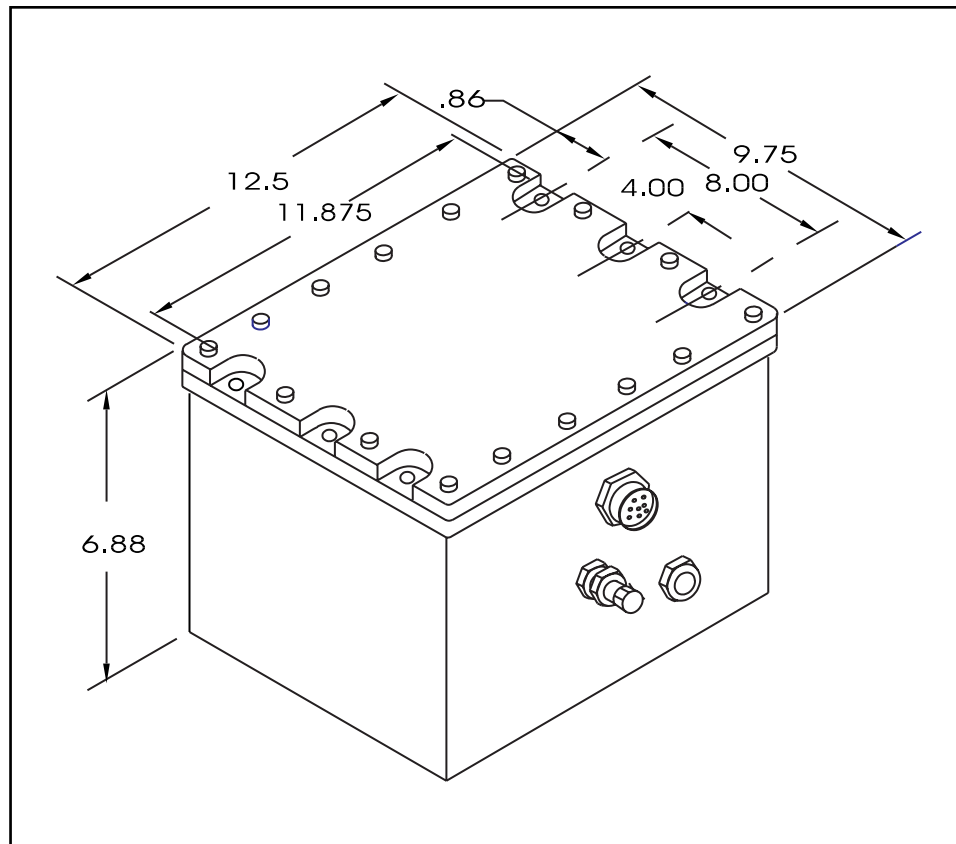


**MODEL MAP-4482-3**

Application _____	Instrument Power and Range Safety
Voltage _____	26-32
Capacity (amp-hrs) _____	50
Rate (amps) _____	.25-27
Weight (lbs) _____	45
Volume (in <sup>3</sup> ) _____	665
Temperature _____	33-105°F
Wet Stand Time _____	90 Days



Manually Activated

*Silver-Zinc Systems*