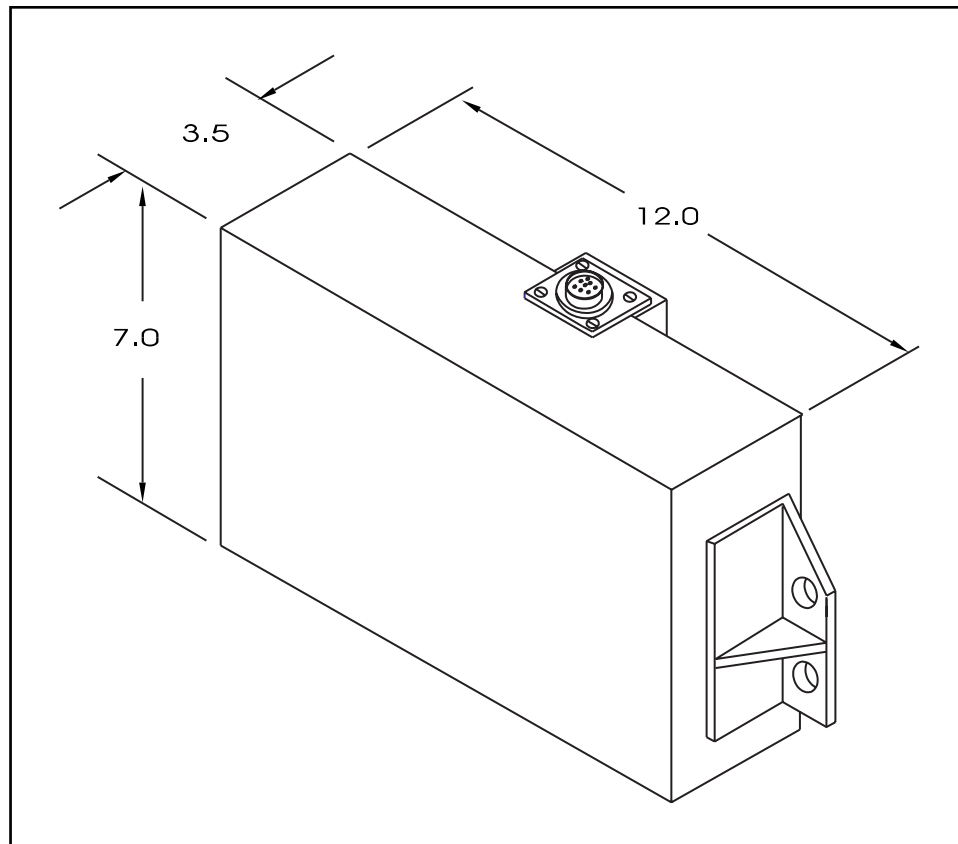


MODEL GAP-4445

Voltage _____	28
Capacity (amp-hrs) _____	19
Rate (amps) _____	30
Weight (lbs) _____	20.5
Volume (in ³) _____	294
Temperature _____	80-120°F
Heater _____	None
Max. Heater Time _____	N/A
Max. Activation _____	1.0 Second
Max. Stand Time _____	0



Automatically Activated

Silver-Zinc Systems