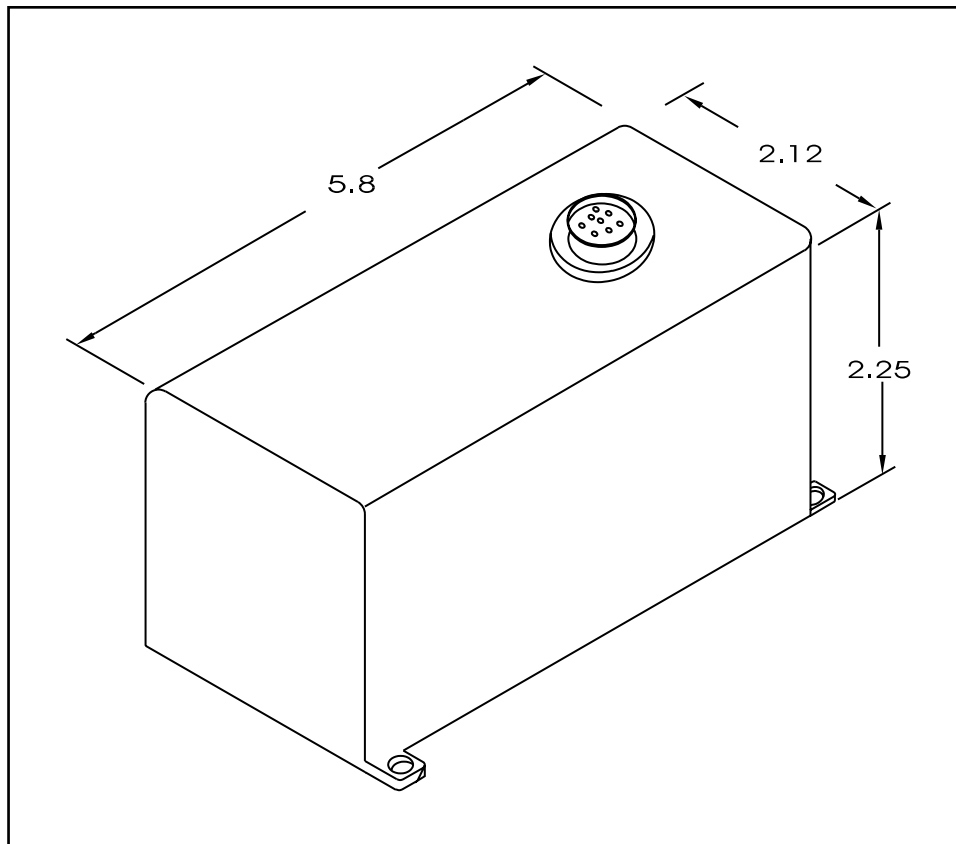


MODEL GAP-4331-21

Voltage _____	26
Capacity (amp-hrs) _____	0.22
Rate (amps) _____	10.3
Weight (lbs) _____	2.2
Volume (in ³) _____	28
Temperature _____	-35-160°F
Heater _____	115 VAC 300 Watts
Max. Heater Time _____	3.0 Minutes
Max. Activation _____	0.60 Seconds
Max. Stand Time _____	0



Automatically Activated

Silver-Zinc Systems