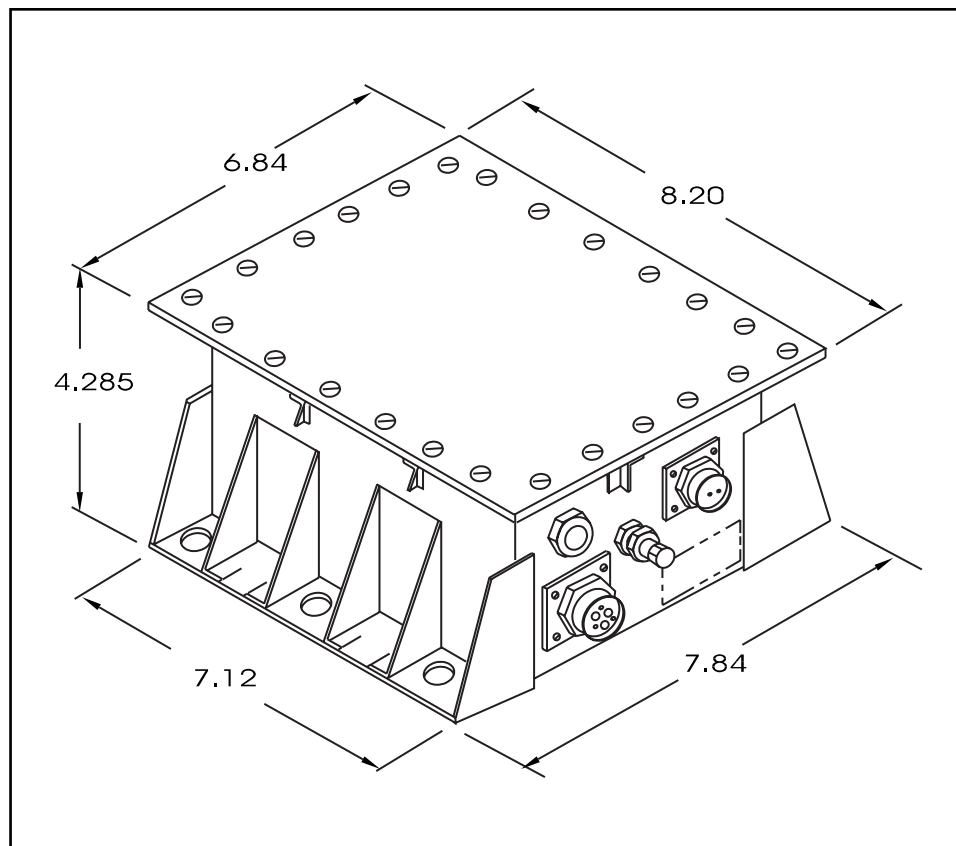


MODEL MAP-4176

Application _____	Varied
Voltage _____	28
Capacity (amp-hrs) _____	4
Rate (amps) _____	0-16
Weight (lbs) _____	14.5
Volume (in ³) _____	208
Temperature _____	-35-110°F
Heater _____	28 V 200 Watts
Max. Heater Time _____	N/A
Max. Activation _____	N/A
Max. Stand Time _____	30 Days



Manually Activated

Silver-Zinc Systems