

# 1SE43 EFC Gas Bottle Cutter



The 1SE43 EFC is a modified piston actuator in which the piston is a cutting blade.

*The 1SE43 EFC is used to sever a stainless steel tube and release gas from a storage bottle.*

## Variations

Although the 1SE43 was designed for a specific application, EaglePicher can adapt it for other uses. The header shape, piston stroke, and output can be modified without losing RF and electrical properties. RF protection can also be eliminated.

## Characteristics

Some of the characteristics listed here are nominal; others are levels to which the units have been tested. There are no limits on design capabilities. Please consult an EaglePicher representative before using this data as a specification.

## Specifications

Electrical	
Bridge Resistance @ +70°F (21°C)	0.90 - 1.30 ohm
All-Fire Current @ -40°F (-40°C)	4.50 amp, 100 ms
No-Fire Current @ +160°F (71°C)	0.95 amp, 5 min
Insulation Resistance @ 100 Vdc, Leads to Case, Before Firing	1.0 megohm
Static Resistance	25,000 V discharge from a 500 pF capacitor with a 5000 ohm resistor applied between terminals, and terminals to case ground.
RF Attenuation	MIL-STD-1377, minimum insertion loss 50 dB at 100 MHz
Mechanical	
Size	See Drawing
Weight	20 gm Max.
Piston Travel	.106" (2.69 mm)
Output	Will shear 1/16" (1.59 mm) O.D. x 0.16" (.406 mm) wall CRS (Type 304) tube
Environmental	
Temperature	Operating range: -40°F to +140°F (-40°C to +60°C)
Chemical	
Ignition Compound	Lead Azide
Freight Classification	
Shipping Name	Detonator, Electric
Hazard Classification	1.4B

# 1SE43 EFC

## Safety

### Maximum pyrotechnic weight:

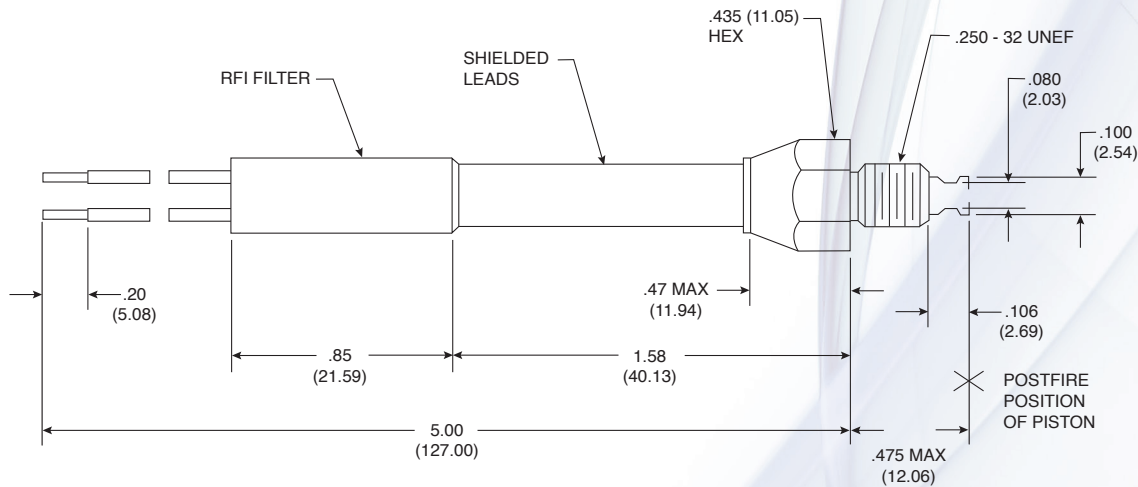
23 mg

### Warning:

The 1SE43 EFC cutter may fire or explode if it is exposed to temperatures higher than 200°F (93°C), an electrical charge exceeding the specified no-fire current, or if it is cut open before it has functioned.

If your company does not have a safety program, it is essential that one is established before explosive items are handled or used. For a brief overview of safety precautions, see the Safety Procedures Data Sheet or contact an EaglePicher representative.

Energetic devices are considered articles; therefore a Material Safety Data Sheet (MSDS) does not apply. However, MSDS may apply to individual components. For more information, contact your EaglePicher representative.



DIMENSIONS IN ( ) ARE IN MM  
DIMENSIONS ARE NOMINAL



### EaglePicher Technologies, LLC

PO Box 47, Joplin, Missouri 64802-0047, USA

tel 417.623.8000 | fax 417.623.0850

[www.eaglepicher.com](http://www.eaglepicher.com)