

1MT262M3 Retractable Actuator

The 1MT262M3 Retractable Actuator is a pyrotechnic-actuated device that produces a pulling or withdrawing type of linear motion.



Upon firing, the piston partially retracts into the casing. These devices are extremely small and lightweight with high reliability. For initiation, they require just a fraction of a watt for a few milliseconds.

Variations

The 1MT262M3 illustrates one of the wide range of variations that are possible with the retractable actuator design. Modifications can be made in shape, size, mounting features, firing sensitivity, output, post-fire piston extension and pre-fire pushback force.

NOTE: The 1MT262 series devices replace the 1MT165 series.

Characteristics

Some of the characteristics listed here are nominal; others are levels to which the units have been tested. There are no limits on design capabilities. Please consult an EaglePicher representative before using this data as a specification.

Specifications

Electrical

Actuator	Bridge Resistance* @70°F (21°C)	All-Fire Current @ -50°F (-45°C) 10 ms	No-Fire Current @ 140°F (60°C) 5 min
Part No.	Ohm	Amp, Min.	Amp, Min.
1MT262M3	4.0 ± 1.0	0.55	0.10
Insulation Resistance, Leads to Case, Before Firing	50 megohm Min. @ 500 Vdc		

*Test current limited to 0.010 amp

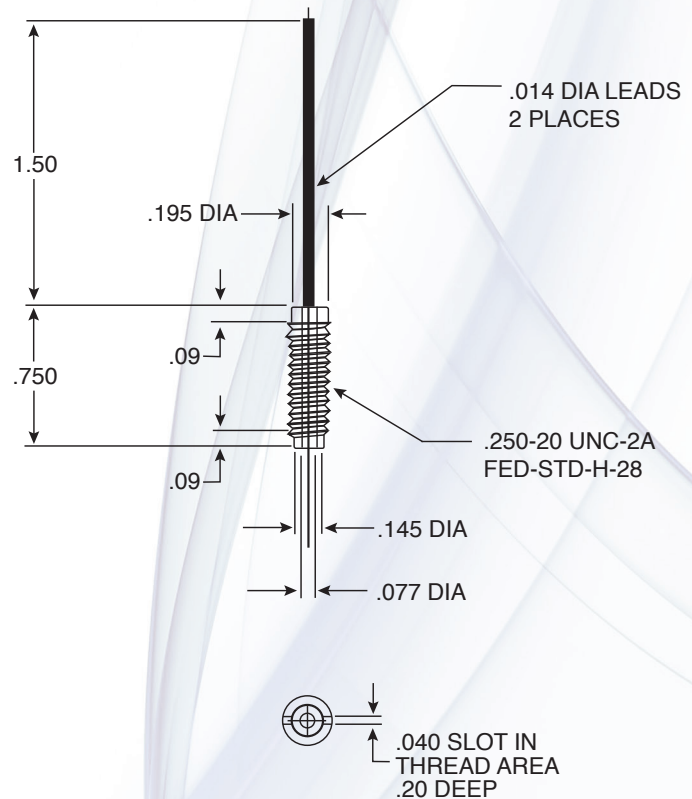
1MT262M3

Specifications Continued

Mechanical	
Size	See drawing
Stroke	1/8" (3.18 mm)
Seal, Leads to Case	epoxy
Function Time, Max.	10 ms
Environmental	
Temperature	Operating range: -50° to +140°F (-54° to +71°C) Cycle: MIL-STD-202, Method 102A, Test Cond. D
Humidity	Cycle: MIL-STD-202, Method 103A, Test Cond. B
Vibration	Sinusoidal: 0.40 ² double amplitude 5 g's 5-500-5 Hz, 3 axes Transportation: MIL-STD-303, 3 axes
Shock	150 g ³ peak IAW MIL-STD-202, Method 213, Condition A
Jumble	MIL-STD-331, Test 102.1
Jolt	MIL-STD-331, Test 101.2

Specifications Continued

Chemical	
Ignition Compound	LMNR/KClO ₃
Freight Classification	
Shipping Name	Release Devices, Explosive
Identification Number	UN0173
Hazard Classification	1.4S



EaglePicher Technologies, LLC

PO Box 47, Joplin, Missouri 64802-0047, USA
tel 417.623.8000 | fax 417.623.0850
www.eaglepicher.com