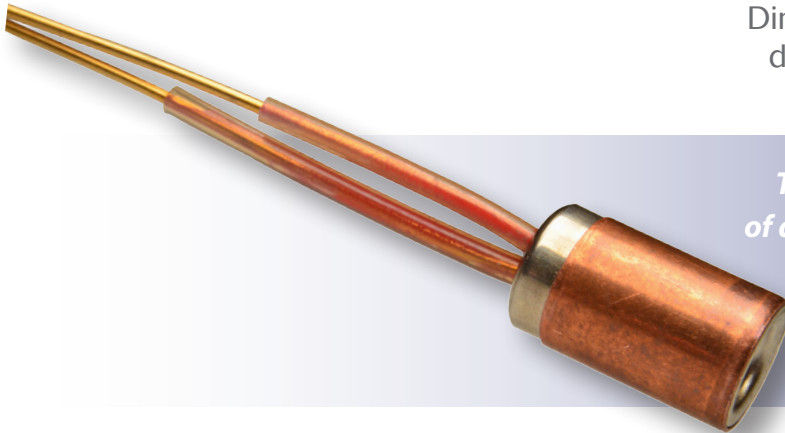


# 1MT1130 Dimple Actuator



Dimple actuators are pyrotechnic-actuated devices that produce short linear motion.

*Their compact size, light weight, simplicity of design, high reliability and environmental resistance make them ideal for aerospace applications. They hold their extended position under load.*

Similar in size and external configuration to the 1MT117, the 1MT1130 provides greater static resistance and better insulation resistance after functioning.

## Variations

Modifications can be made in lead lengths, firing characteristics, force and environmental resistance.

## Characteristics

Some of the characteristics listed here are nominal; others are levels to which the units have been tested. There are no limits on design capabilities. Please consult an EaglePicher representative before using this data as a specification.

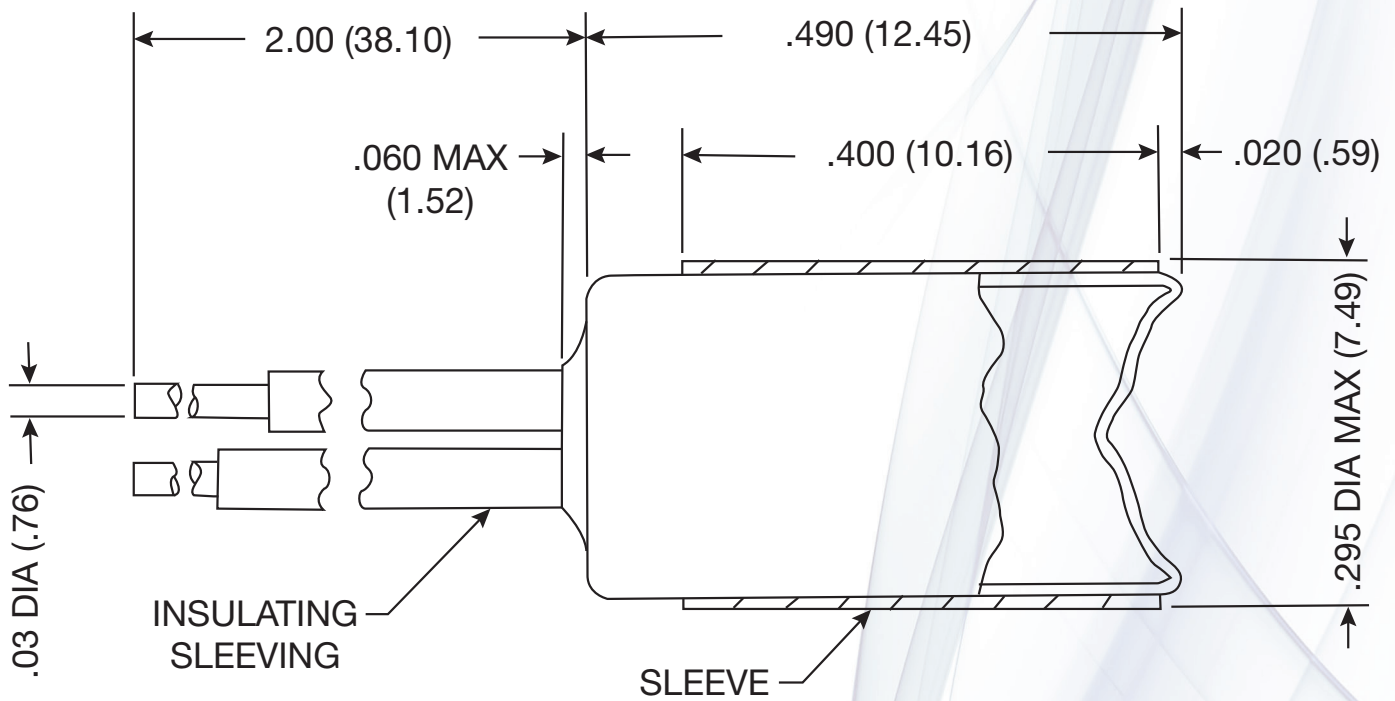
### Specifications

Electrical	
Bridge Resistance @ 70°F (21°C)	.80 - 1.10 ohm (test current limited to 0.010 amp)
All-Fire Current @ -65°F (-54°C)	4.0 amp, 20 ms
No-Fire Current @ 185°F (85°C)	1.0 amp, 5 min
Insulation Resistance, Shunted Leads to Case	Before firing: 10 megohm @ 100 Vdc After firing: 50 kilohm, 10 ma
Static Resistance	25,000 V discharge from a 500 pF capacitor through a 5000 ohm series resistor.

### Specifications Continued

Mechanical	
Size	See drawing
Stroke	0.1" (2.5 mm)
Load at -65°F (-54°C)	15 lb (78 N)
Function Time	10 ms
Weight	3 gm Max.
Environmental	
Temperature	Operating range: -65°F to +185°F (-54°C to +85°C)  Temperature shock: Functions after 1 hr at +185°F (85°C) followed by 1 hr at -65°F (-54°C).
Shock	40 g's for 40 ms, 1/2 sine any direction
Vibration, Random	.14 G <sup>2</sup> /Hz Min. to 2000 Hz, 10 min per axis
Chemical	
Ignition Material	Barium Styphnate
Freight Classification	
Shipping Name	Dimple Motor
Identification Number	UN0255
Hazard Classification	1.45

# 1MT1130



DIMENSIONS ARE NOMINAL  
DIMENSIONS IN ( ) ARE IN MM



**EaglePicher Technologies, LLC**  
PO Box 47, Joplin, Missouri 64802-0047, USA  
tel 417.623.8000 | fax 417.623.0850  
[www.eaglepicher.com](http://www.eaglepicher.com)