

# 1MT1106 Bellows Actuator

The 1MT1106 Bellows Actuator is a pyrotechnic-actuated device that produces linear or non-linear motion with a relatively long stroke.

*It is larger and more powerful than most bellows actuators. When actuated, the bellows expands following a straight line, arcuate, or other path established by surrounding surfaces. It holds its extended position under load.*

## Variations

Variations are possible in firing characteristics, environmental resistance, length of stroke, force, radius of curvature and shape of bellows nose.

## Characteristics

Some of the characteristics listed here are nominal; others are levels to which the units have been tested. There are no limits on design capabilities. Please consult an EaglePicher representative before using this data as a specification.

## Specifications

### Electrical

Bridge Resistance @ 70°F (21°C)	4.5 ± 0.5 ohm
All-fire Current @ -65°F (-54°C)	1.0 amp, 10 ms
No-Fire Current @ 160°F (71°C)	0.050 amp, 30 sec
Insulation Resistance @ 500 Vdc, Shunted Leads to Case, Before Firing	30 megohms Min.

### Mechanical

Bellows Material	Brass
Size	See drawing
Weight	16 gm
Output and Function Time	Will overcome a 50 lb (224 N) detent and extend 1 1/2" (38.1 mm) against a 5 lb spring in 20 ms Max.

### Environmental

Temperature	Operating range: -65°F to +160°F (-54°C to +71°C) Temperature and humidity: MIL-STD-331, Test No. C1
-------------	---

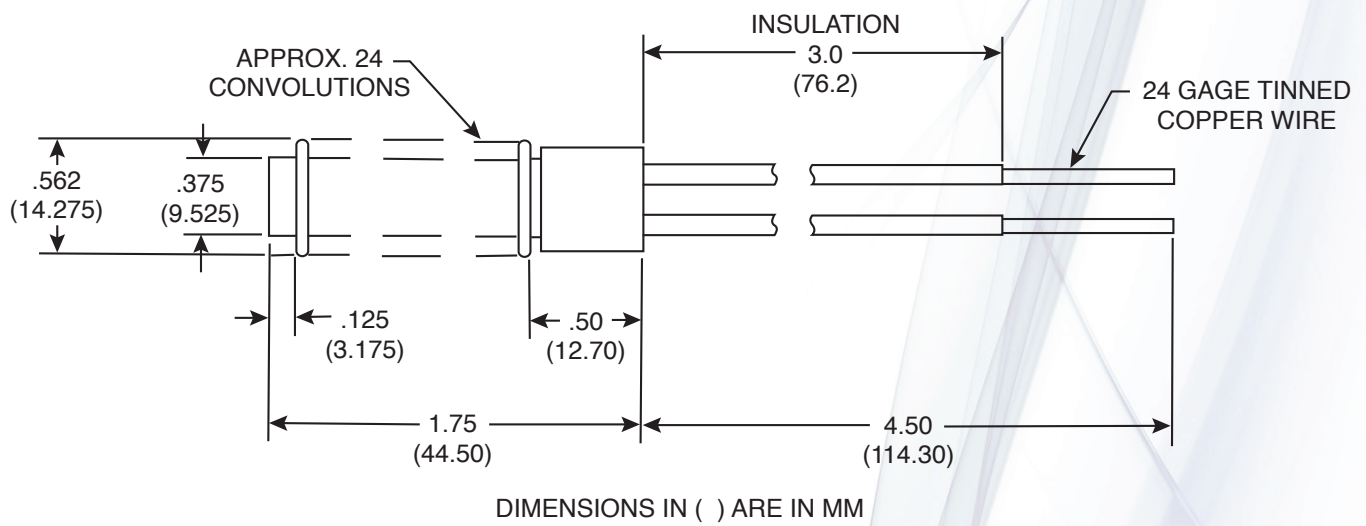
### Chemical

Ignition Compound	LMNR/KClO <sub>3</sub>
-------------------	------------------------

### Freight Classification

Shipping Name	Release Devices, Explosive
Hazard Classification	1.4S

# 1MT1106



**EaglePicher Technologies, LLC**  
PO Box 47, Joplin, Missouri 64802-0047, USA  
tel 417.623.8000 | fax 417.623.0850  
[www.eaglepicher.com](http://www.eaglepicher.com)