

1 ATG99 Air Turbine Generator



The 1ATG99 Air Turbine Generator is a compact 19V DC generator powered by forced air

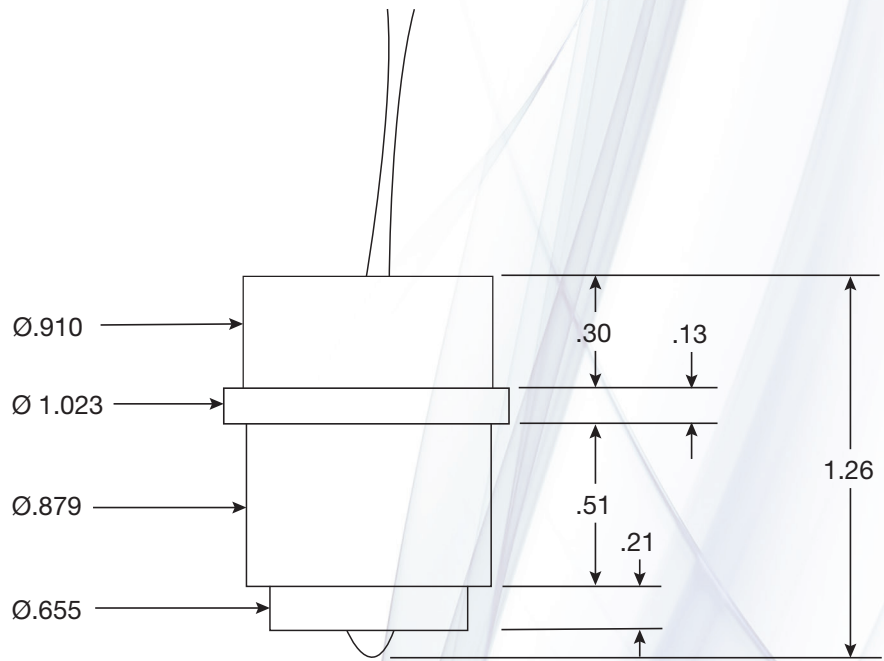
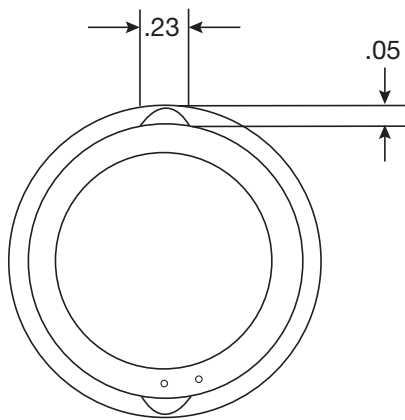
Characteristics

Some of the characteristics listed here are nominal; others are levels to which the units have been tested. There are no limits on design capabilities. Please consult an EaglePicher representative before using this data as a specification.

Specifications

Electrical	
Voltage Output	19V DC
Mechanical	
Size	See Drawing
Case	Delrin
Turbine	Delrin
Environmental	
Vibration	MIL-STD-810B, Method 514.1 Procedure 11, parts 1 (H) and 3 (AH) Fig 514.1-4
Mechanical Shock	MIL-STD-810B, Method 516.1 amplitude (a), duration (c) per fig. 516.1
Thermal Shock	MIL-STD-331A, Test 113.1

1ATG99



DIMENSIONS ARE NOMINAL



EaglePicher Technologies, LLC

PO Box 47, Joplin, Missouri 64802-0047, USA
tel 417.623.8000 | fax 417.623.0850

www.eaglepicher.com